



Technology that captivates world

Quality that meets all of our customers' needs!



Optical Fiber Connector



SC



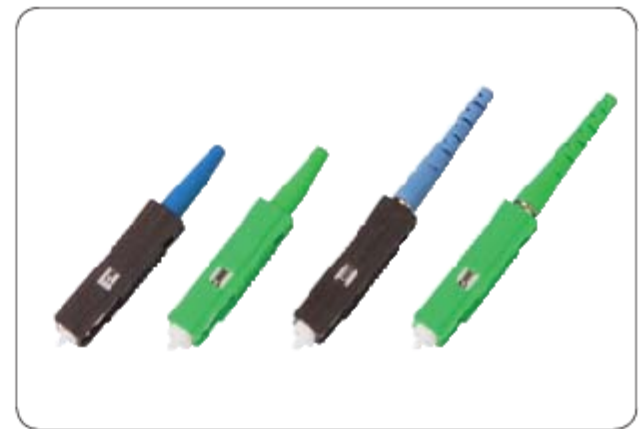
LC



FC



ST



MU



E2000



LX.5



SMA & D4



MTRJ



MPO



ESCON & FDDI

Optical Fiber Connector

Applications

- HDTV
- Local Area Networks
- CATV networks
- Active device termination
- Data system networks
- FTTx

Features & Benefits

- Compliant with: IEC, JIS, Telcordia
- Low insertion loss
- Easy to handle
- Safe for the environment
- Customizable

Specification

| Parameter | Condition | Value [dB] |
|---------------------|---------------------------|------------|
| Insertion Loss | | < 0.20 |
| Mating Durability | 500 times | < 0.20 |
| Temperature Cycling | -40 ~ + 85 °C (42 cycles) | < 0.20 |
| Humidity Cycling | 75°C , 95% / 336 hrs | < 0.20 |
| Vibration | 10 ~ 55Hz (3Axis) | < 0.20 |
| Impact | 1.5m drop, 8 times | < 0.20 |

Ordering Information

| OFC | Fiber Type | Connector Type | Polishing Type | Housing & Boot Color | Cable Diameter | Configuration |
|-------------------------|---------------------|----------------|----------------|----------------------|----------------|---------------|
| Optical Fiber Connector | SM [Single-Mode] | SC,FC,ST | PC | B: Blue | Ø 0.9 | Assembled |
| | MM [Multi-Mode] | LC,MU | APC | G: Green | Ø 2.0 | Not Assembled |
| | | MTRJ, MPO | | BE: Beige | Ø 2.4 | |
| | | E2000, LX,5 | | BK: Black | Ø 3.0 | |
| | | ESCON, SMA | | Y: Yellow | Other | |
| | | Other | | Other | | |

SC AUTO SHUTTER Connector & Adaptor



►► Installation



►► Features & Benefits

SC Auto-Shutter Connector/Adapter offers perfect fit to in-house application, with dust and laser protection. Easy to insert and extract for even non-trained person with the most safe way. Both shutters on connector and adapter are open automatically when the connector is being inserted into the adapter and automatically closed when the connector is being extracted from the adapter.

Specification

| Parameter | Condition | Value [dB] | | |
|---------------------|--------------------|------------|---------|--------|
| | | Min | Typical | Max |
| Insertion Loss | | | < 0.15 | < 0.30 |
| Return Loss | SPC | > 40 | > 45 | |
| | UPC | > 50 | > 55 | |
| | APC | > 60 | > 65 | |
| Mating Durability | 500 times | | | < 0.20 |
| Temperature Cycling | -40°C ~ + 85°C | | | < 0.20 |
| Humidity Cycling | 75°C, RH 95% | | | < 0.20 |
| Vibration | 10~55Hz [3 Axis] | | | < 0.20 |
| Impact | 1.5m drop, 8 times | | | < 0.20 |

Optical Fiber Field Connector



Applications

- Patch panels
- Distribution frames
- Maintenance or emergency restoration of fiber networks, FTTH Outlets
- Connection at the desk for LAN environments

Features & Benefits

- Factory-installed fiber stub
- No epoxy & no polishing required
- Allows up to three re-termination
- Quick and easy fiber termination in the field
- Eliminates cable excess length and pigtail splice storage
- Cost effective

Product Comparison



Use Splicing With Pigtail



Use FOSTEC Field Connector

Ordering Information

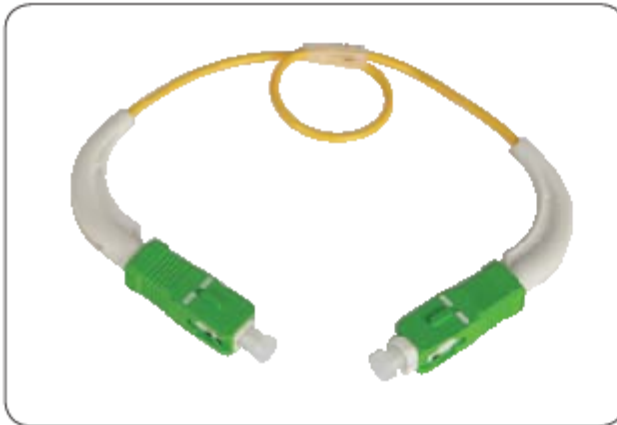
OFFC

| Optical Fiber Field Connector | Fiber Type | Connector Type | Polishing Type | Cable Diameter |
|-------------------------------|---------------------|----------------|----------------|----------------|
| | G.652 [9/125] | SC | PC | ∅ 0.25 |
| | OM1 [62.5/125] | FC | APC | ∅ 0.9 |
| | OM2 [50/125] | LC | | ∅ 3.0 |
| | OM3 OM4 [50/125] | ST | | ∅ 2*3 |

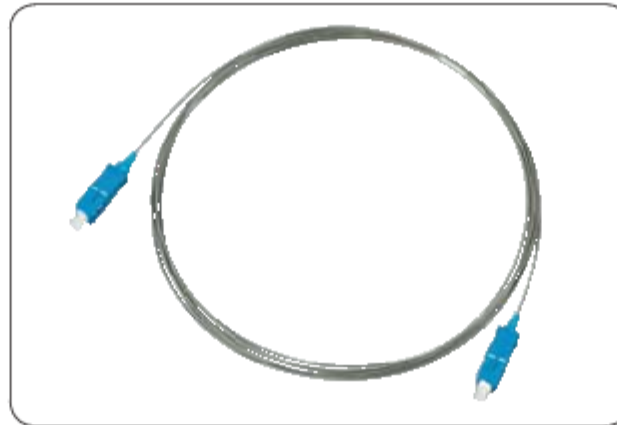
Optical Fiber Patch Cord



Patch Cord



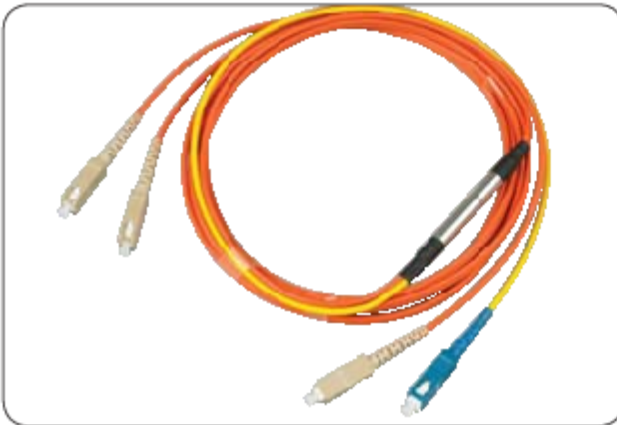
G657 Angleboot



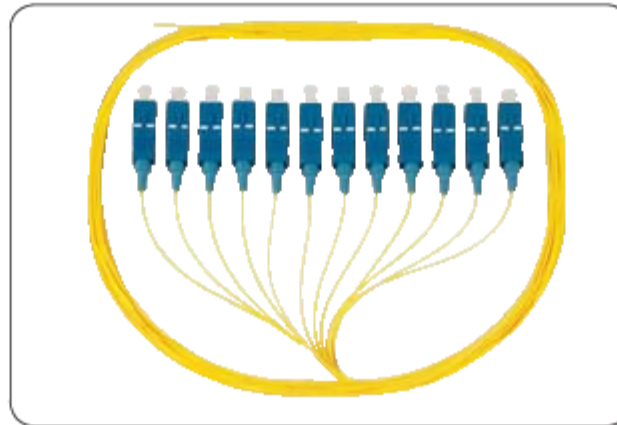
ø 0.9 Armored Cord



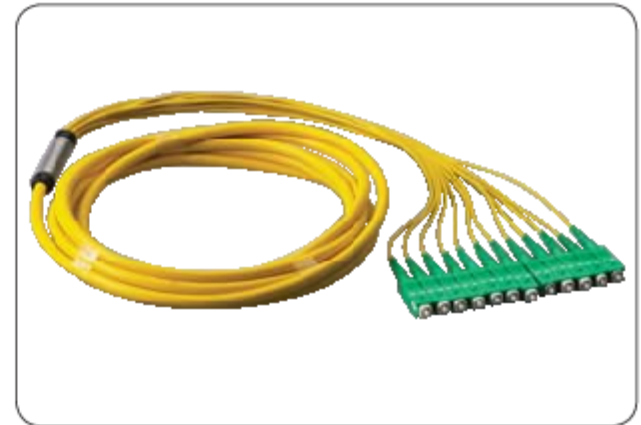
ø 3.0 Armored Cord



Mode-Conditioning Cord



Pigtails



Multi Cord



ESCON-MTRJ



Breakout Cord



LC UNIBODY



PT / LC



Outdoor



Outdoor(Armored)

Optical Fiber Patch Cord

Applications

- Telecommunication networks
- Local Area Networks
- CATV networks
- Active device termination
- Data system networks

Features & Benefits

- Compliant with: IEC, JIS, Telcordia
- Customer length
- Standard length of SC, FC and ST assemblies in stock
- Minimum loss

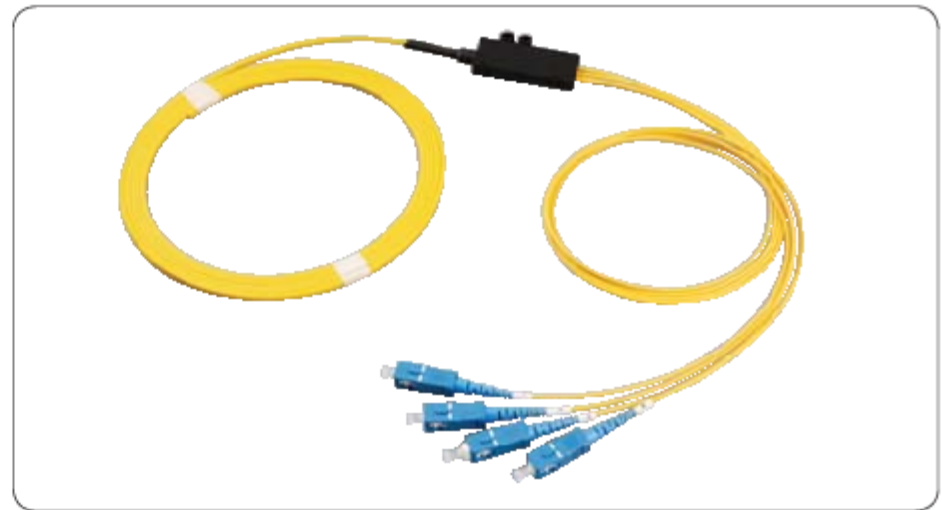
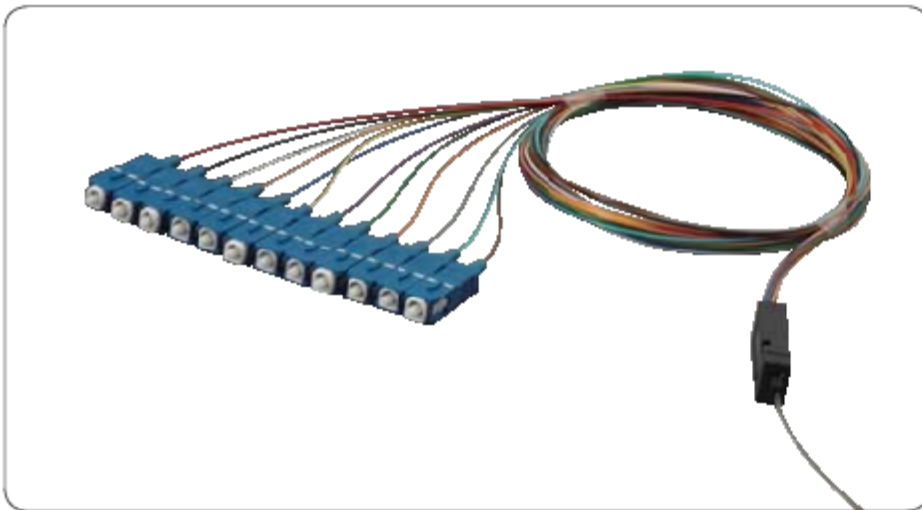
Specification

| Parameter | Condition | Value [dB] | | |
|---------------------|--------------------|------------|---------|--------|
| | | Min | Typical | Max |
| Insertion Loss | | | < 0.15 | < 0.30 |
| Return Loss | SPC | > 40 | > 45 | |
| | UPC | > 50 | > 55 | |
| | APC | > 60 | > 65 | |
| Mating Durability | 500 times | | | < 0.20 |
| Temperature Cycling | -40°C ~ + 85°C | | | < 0.20 |
| Humidity Cycling | 75°C, RH 95% | | | < 0.20 |
| Vibration | 10~55Hz [3 Axis] | | | < 0.20 |
| Impact | 1.5m drop, 8 times | | | < 0.20 |

Ordering Information

| OPC | Fiber Type | Connector Type | Polishing Type | Connector Type | Polishing Type | Cable Length [m] | Cable Type | Cable Diameter |
|-----|-------------------------------|----------------|----------------|----------------|----------------|------------------|----------------------|----------------|
| | G.652 [9/125] | SC, FC, ST | SPC | SC, FC, ST | SPC | 1~999 | SP: Simplex | ø0.9 |
| | G.657 G.655 [9/125] | LC, MU | UPC | LC, MU | UPC | | DP: Duplex Zip cord | ø2.0 |
| | OM1 [62.5/125] | MTRJ, MPO | APC | MTRJ, MPO | APC | | R: Duplex Round cord | ø2.4 |
| | OM2 [50/125] | E2000, LX,5 | PC | E2000, LX,5 | PC | | Other | ø3.0 |
| | OM3 OM4 [50/125] | ESCON, SMA | | ESCON, SMA | | | | ø5.5 |
| | PM [Polarization Maintaining] | OTHER | | OTHER | | | | Other |

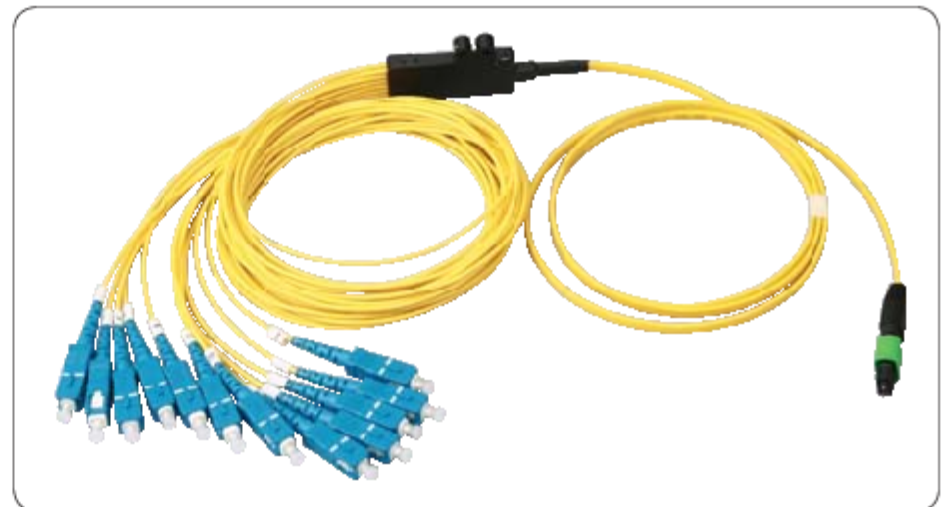
○ Fan-Out Patch Cord



Specification

| Parameter | Condition | Value [dB] | | |
|---------------------|--------------------|------------|---------|--------|
| | | Min | Typical | Max |
| Insertion Loss | | | < 0.15 | < 0.30 |
| Return Loss | SPC | > 40 | > 45 | |
| | UPC | > 50 | > 55 | |
| | APC | > 60 | > 65 | |
| Mating Durability | 500 times | | | < 0.20 |
| Temperature Cycling | -40°C ~ +85°C | | | < 0.20 |
| Humidity Cycling | 75°C, RH 95% | | | < 0.20 |
| Vibration | 10~55Hz [3 Axis] | | | < 0.20 |
| Impact | 1.5m drop, 8 times | | | < 0.20 |

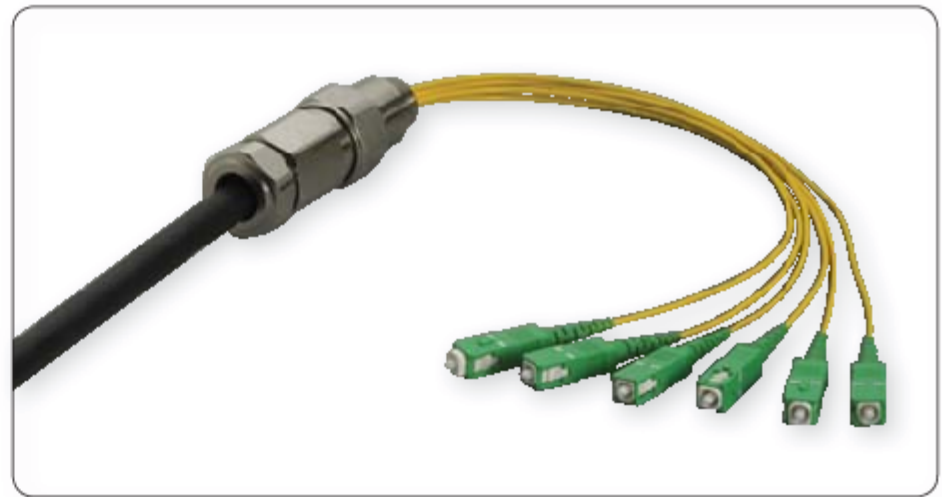
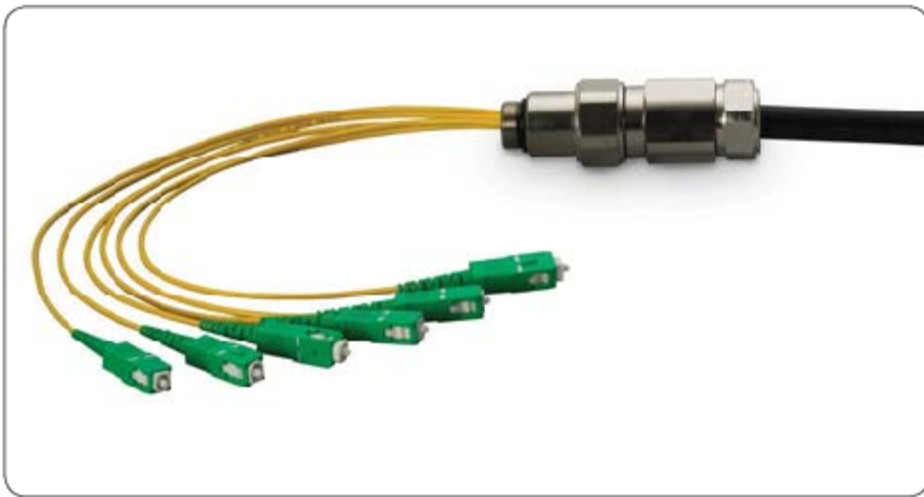
○ MTP / MPO Patch Cord



Specification

| Parameter | Single - Mode | Multi - Mode |
|-----------------------|--|-----------------------------|
| Insertion Loss [dB] | < 0.75 | < 1.0 |
| Return Loss [dB] | > 40 | |
| Durability | < 0.3dB Typical change, 200 Matings | |
| Operating Temperature | -40°C ~ +85°C | |
| Ferrule Hole Sizes | 125.0+1 / -0μm, Concentricity : ≤0.1μm | 127μm, Concentricity : ≤3μm |

Waterproof Cable Assemblies



Applications

- Telecommunication network
- CATV networks
- Local Area Network
- Active device termination
- Data system networks
- Harsh environmental conditions

Features & Benefits

- Compliant with: IEC, JIS, Telcordia
- Customer length
- Minimum loss
- Space efficient distribution of fiber
- Available for harsh environment

Specification

| Parameter | Condition | Value [dB] | | |
|---------------------|--------------------|------------|---------|--------|
| | | Min | Typical | Max |
| Insertion Loss | | | < 0.30 | < 0.50 |
| Return Loss | SPC | > 40 | > 45 | |
| | UPC | > 50 | > 55 | |
| | APC | > 60 | > 65 | |
| Mating Durability | 500 times | | | < 0.20 |
| Temperature Cycling | -40°C ~ +85°C | | | < 0.20 |
| Humidity Cycling | 75°C, RH 95% | | | < 0.20 |
| Vibration | 10~55Hz [3 Axis] | | | < 0.20 |
| Impact | 1.5m drop, 8 times | | | < 0.20 |

Ordering Information

WPC — ■ — ■ — ■ / ■ — ■ — ■

| | | | | | | |
|--|---|--|---|--|--|--|
| <div style="background-color: #f4a460; border-radius: 50%; width: 60px; height: 60px; display: flex; align-items: center; justify-content: center; margin: 0 auto;"> <div style="text-align: center;"> <p>Water Proof Cable</p> </div> </div> | <div style="background-color: #f1c40f; border-radius: 50%; width: 60px; height: 60px; display: flex; align-items: center; justify-content: center; margin: 0 auto;"> <div style="text-align: center;"> <p>Fiber Type</p> </div> </div> <div style="border: 1px solid #ccc; border-radius: 10px; padding: 5px; margin-top: 5px; text-align: center;"> SM [Single-Mode] </div> | <div style="background-color: #a6c93a; border-radius: 50%; width: 60px; height: 60px; display: flex; align-items: center; justify-content: center; margin: 0 auto;"> <div style="text-align: center;"> <p>Fiber Count</p> </div> </div> <div style="display: flex; flex-direction: column; gap: 5px; margin-top: 5px;"> <div style="border: 1px solid #ccc; border-radius: 10px; padding: 5px; text-align: center;">4C</div> <div style="border: 1px solid #ccc; border-radius: 10px; padding: 5px; text-align: center;">6C</div> <div style="border: 1px solid #ccc; border-radius: 10px; padding: 5px; text-align: center;">8C</div> <div style="border: 1px solid #ccc; border-radius: 10px; padding: 5px; text-align: center;">12C</div> <div style="border: 1px solid #ccc; border-radius: 10px; padding: 5px; text-align: center;">Other</div> </div> | <div style="background-color: #7ed321; border-radius: 50%; width: 60px; height: 60px; display: flex; align-items: center; justify-content: center; margin: 0 auto;"> <div style="text-align: center;"> <p>Connector Type</p> </div> </div> <div style="display: flex; flex-direction: column; gap: 5px; margin-top: 5px;"> <div style="border: 1px solid #ccc; border-radius: 10px; padding: 5px; text-align: center;">SC, FC</div> <div style="border: 1px solid #ccc; border-radius: 10px; padding: 5px; text-align: center;">Other</div> </div> | <div style="background-color: #3498db; border-radius: 50%; width: 60px; height: 60px; display: flex; align-items: center; justify-content: center; margin: 0 auto;"> <div style="text-align: center;"> <p>Polishing Type</p> </div> </div> <div style="display: flex; flex-direction: column; gap: 5px; margin-top: 5px;"> <div style="border: 1px solid #ccc; border-radius: 10px; padding: 5px; text-align: center;">SPC</div> <div style="border: 1px solid #ccc; border-radius: 10px; padding: 5px; text-align: center;">UPC</div> <div style="border: 1px solid #ccc; border-radius: 10px; padding: 5px; text-align: center;">APC</div> </div> | <div style="background-color: #2980b9; border-radius: 50%; width: 60px; height: 60px; display: flex; align-items: center; justify-content: center; margin: 0 auto;"> <div style="text-align: center;"> <p>Pigtail Length [m]</p> </div> </div> <div style="border: 1px solid #ccc; border-radius: 10px; padding: 5px; margin-top: 5px; text-align: center;">0.5-2</div> | <div style="background-color: #9b59b6; border-radius: 50%; width: 60px; height: 60px; display: flex; align-items: center; justify-content: center; margin: 0 auto;"> <div style="text-align: center;"> <p>Cable Length [m]</p> </div> </div> <div style="border: 1px solid #ccc; border-radius: 10px; padding: 5px; margin-top: 5px; text-align: center;">10~99</div> |
|--|---|--|---|--|--|--|

Optical Fiber Adapter

Optical Fiber Adapter



SC



LC



FC



ST



MU



E2000



MTRJ, MPO

Hybrid Adapter



Optical Fiber Adapter

Applications

- Telecommunication networks
- CATV networks
- Data communication networks
- Active device termination
- Instrumentation
- Local Area Networks

Features & Benefits

- Compliant with: IEC, JIS, Telcordia
- Convenience and ease of handling
- Optical performance 100% factory tested
- Flange or threaded mounting type
- Ceramic or phosphorous bronze sleeves available
- Excellent concentricity

Specification

| Parameter | Condition | Value [dB] |
|---------------------|-----------------------------|------------|
| Insertion Loss | | < 0.30 |
| Mating Durability | 500 times | < 0.20 |
| Temperature Cycling | -40°C ~ + 85 °C (42 cycles) | < 0.20 |
| Humidity Cycling | 75°C , RH 95% / 336 hrs | < 0.20 |
| Vibration | 10 ~ 55Hz (3Axis) | < 0.20 |
| Impact | 1.5m drop, 8 times | < 0.20 |

Ordering Information

| OFA | Fiber Type | Connector Type | Polishing Type | Connector Type | Polishing Type | Sleeve Type | Port Type |
|-----------------------|------------------|----------------|----------------|----------------|----------------|------------------------|-------------|
| Optical Fiber Adapter | SM [Single-Mode] | SC, FC, ST | PC | SC, FC, ST | PC | Zr: Zirconia Ceramic | SP: Simplex |
| | MM [Multi-Mode] | LC, MU | APC | LC, MU | APC | PB: Phosphorous Bronze | DP: Duplex |
| | | MTRJ, MPO | | MTRJ, MPO | | | |
| | | E2000, LX5 | | E2000, LX5 | | | |
| | | ESCON, SMA | | ESCON, SMA | | | |
| | | Other | | Other | | | |

Optical Fiber Attenuator



Plug Type Fixed Attenuators



Line Type Fixed Attenuator

Applications

- Telecommunication networks
- CATV networks
- Local Area Networks
- Active device termination
- Data system networks

Features & Benefits

- Compliant with: IEC, JIS, Telcordia
- High power endurance
- Optical performance 100% factory tested
- Low polarization insensitive
- Convenient and compact design
- Controls the amount of optical power used

Specification

| Parameter | Condition | Value [dB] | | |
|---------------------------|-----------|---------------|---------|-----|
| | | Min | Typical | Max |
| Attenuation | | | 1 ~ 10 | |
| | | | 15, 20 | |
| Return Loss | SPC | > 40 | > 45 | |
| | UPC | > 50 | > 55 | |
| | APC | > 60 | > 65 | |
| Attenuation Accuracy | 1 ~ 10 | | ±0.5 | |
| | 15 ~ 20 | | ±1.0 | |
| Operating Wavelength [nm] | | 1310 and 1550 | | |
| Operating Temperature | | -40°C ~ +85°C | | |
| Humidity | | 75°C, RH 95% | | |

Ordering Information

OFAT

| Optical Fiber Attenuator | Fiber Type | Description | Connector Type | Polishing Type | Attenuation Value [dB] | Cable Length [m] |
|--------------------------|------------------|-----------------------|----------------|----------------|------------------------|------------------|
| | SM [Single-Mode] | M/F: Male to Female | SC, FC, ST | SPC | 1~20 | 1~99 |
| | MM [Multi-Mode] | F/F: Female to Female | LC, MU | UPC | Other | |
| | | LT : Line Type | | APC | | |

Variable Optical Fiber Attenuator



Line Type Variable Attenuator



Plug & Bulkhead Variable Attenuator

Applications

- Receiver padding
- Lab or field installation
- System testing and installation
- Optical power equalization

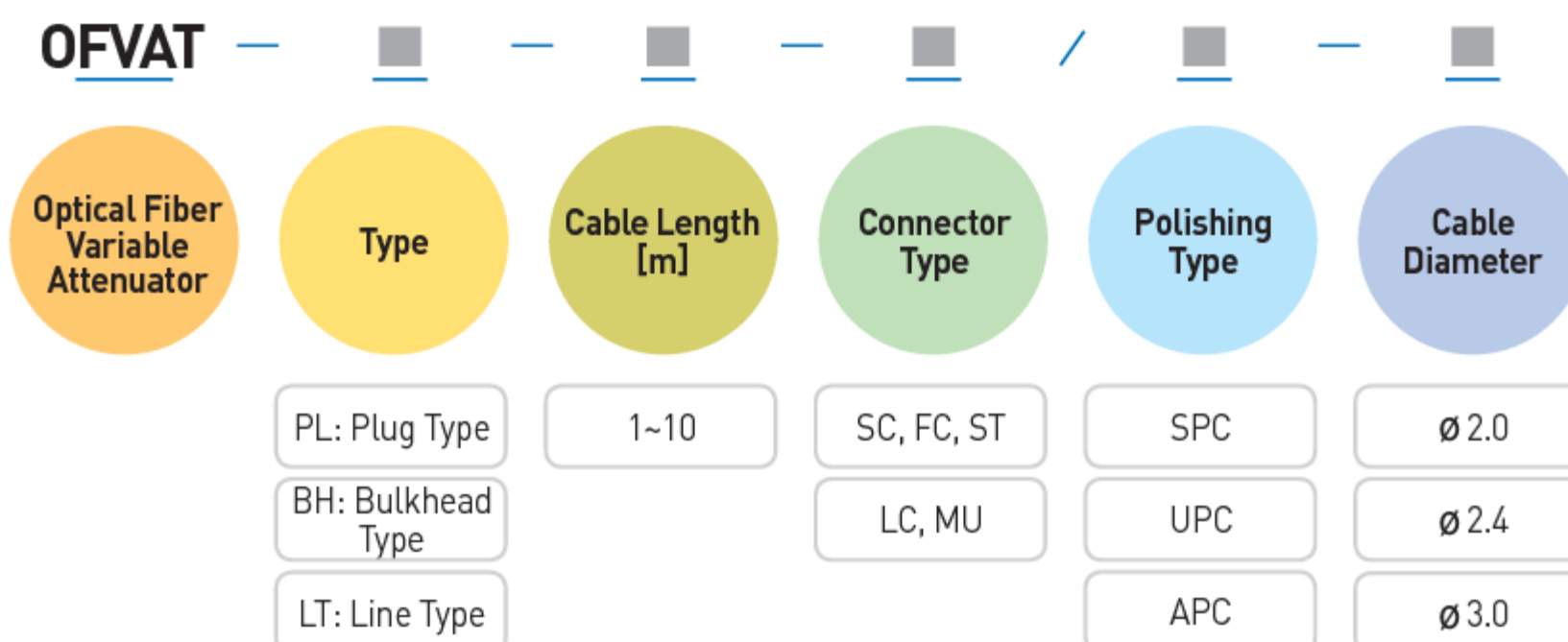
Features & Benefits

- Wide attenuation range
- Precise resolution
- Customer specified attenuation range
- Low insertion loss
- Customizable value

Specification

| Parameter | Plug Type | Bulkhead Type | Line Type |
|---------------------------------|-----------|---------------|--------------------|
| Connector Type | FC | FC | SC, FC, ST, LC, MU |
| Attenuation Variable Range [dB] | | 0~30 | |
| Minimum Attenuation Value [dB] | | 1.0 | |
| Return loss [dB] | | > 50 | |
| Resolution [dB] | | 1.0 | |
| Operation Temperature | | -40°C - +85°C | |
| Storage Temperature | | -15°C - +60°C | |

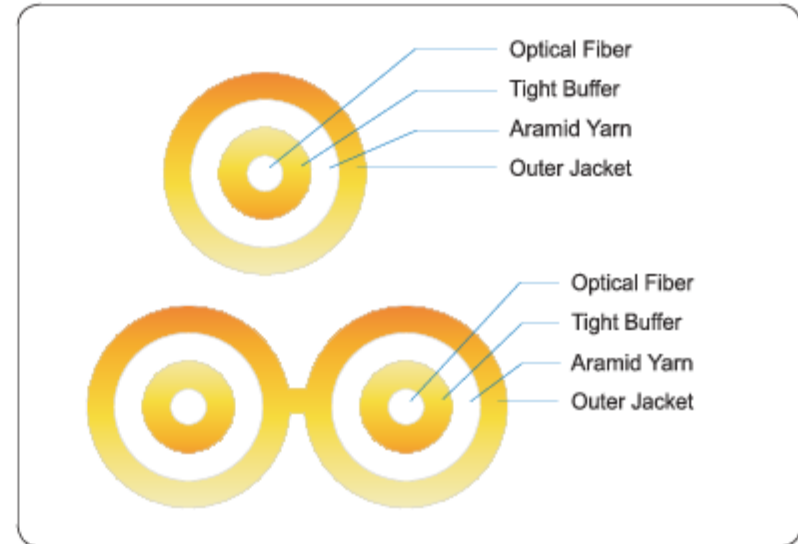
Ordering Information



Optical Fiber Cable

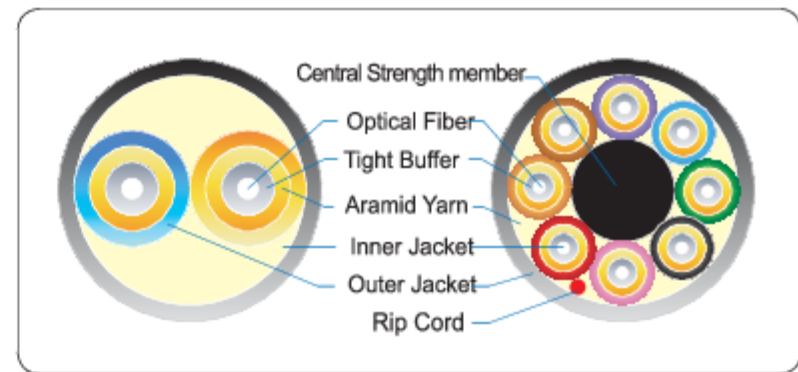
Simplex and Duplex Cable

| ITEM | Outer Diameter(mm) | Weight(kg/km) | Max.Tensile Load(kg) |
|---------|--------------------|---------------|----------------------|
| Simplex | 1.6 | 2.5 | 10 |
| | 2.0 | 5.0 | 15 |
| | 2.4 | 8.5 | 20 |
| | 3.0 | 11.5 | 30 |
| Duplex | 1.6 X 3.2 | 6 | 20 |
| | 2.0 X 4.0 | 8 | 30 |
| | 2.4 X 4.8 | 10 | 40 |
| | 3.0 X 6.1 | 18 | 50 |



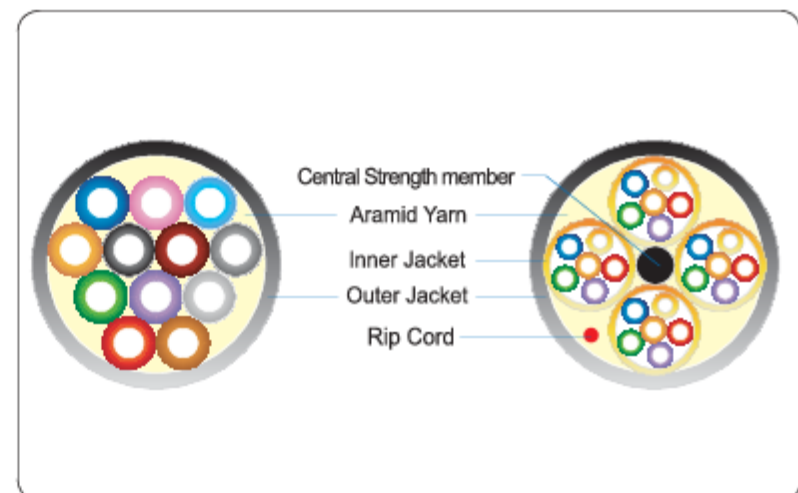
Breakout Cable

| ITEM | Outer Diameter(mm) | Weight(kg/km) | Max.Tensile Load(kg) |
|------|--------------------|---------------|----------------------|
| 2 | 6.0 | 50 | 80 |
| 4 | 8.5 | 70 | 80 |
| 6 | 10.0 | 100 | 100 |
| 8 | 12.0 | 120 | 120 |
| 12 | 14.0 | 190 | 180 |

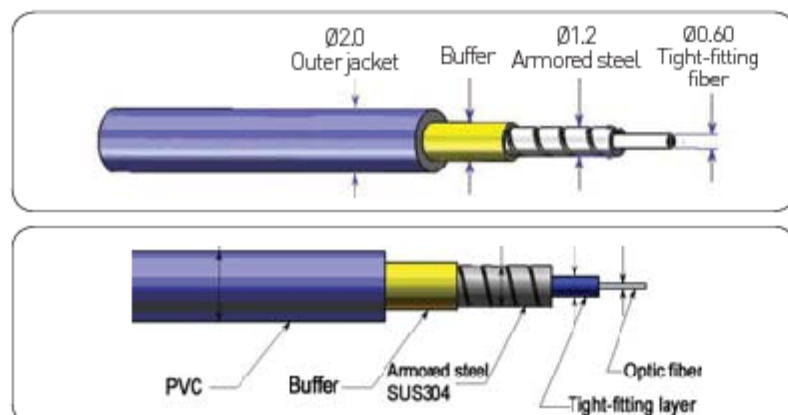


Distribution Cable

| ITEM | Outer Diameter(mm) | Weight(kg/km) | Max.Tensile Load(kg) |
|------|--------------------|---------------|----------------------|
| 4 | 5.5 | 25 | 66 |
| 6 | 6.0 | 30 | 66 |
| 8 | 6.5 | 35 | 66 |
| 12 | 7.5 | 45 | 80 |
| 24 | 15.0 | 165 | 100 |
| 36 | 16.0 | 190 | 130 |
| 48 | 18.5 | 260 | 180 |



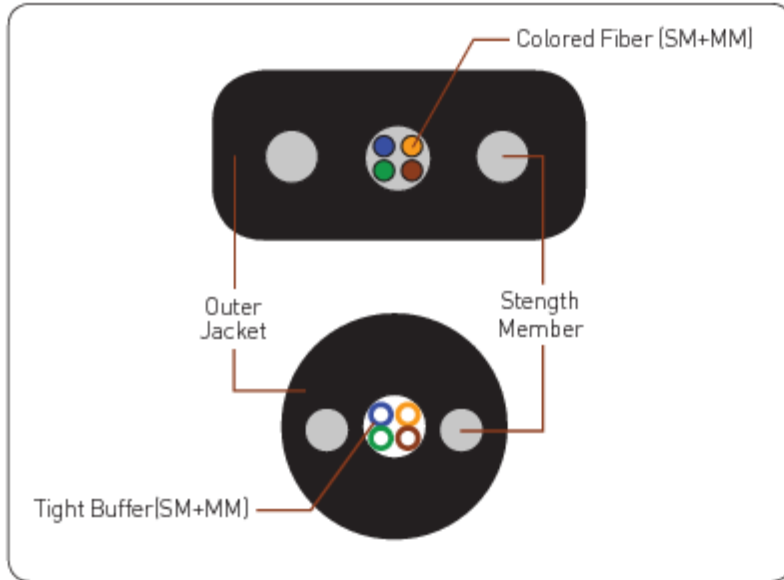
Armored Cable



| Inspection Index [1550mm] | Term | | Crush | | Concussion Optic Fiber don't break off | Bend ≤0.03 dB |
|---------------------------|------------|-----------|-----------------|-----------------|---|------------------|
| | Short-term | Long-term | Short-term | Long-term | | |
| Ø 2.0 | ≤0.03 dB | ≤0.01 dB | >5000N / 100 mm | >3000N / 100 mm | 4.5 Nm, 5 times | 15D, 1000 times |
| Ø 3.0 | >300N | >100N | >5000N / 100 mm | >3000N / 100 mm | 4.5 Nm, 5 times | 15D, 1000 times |

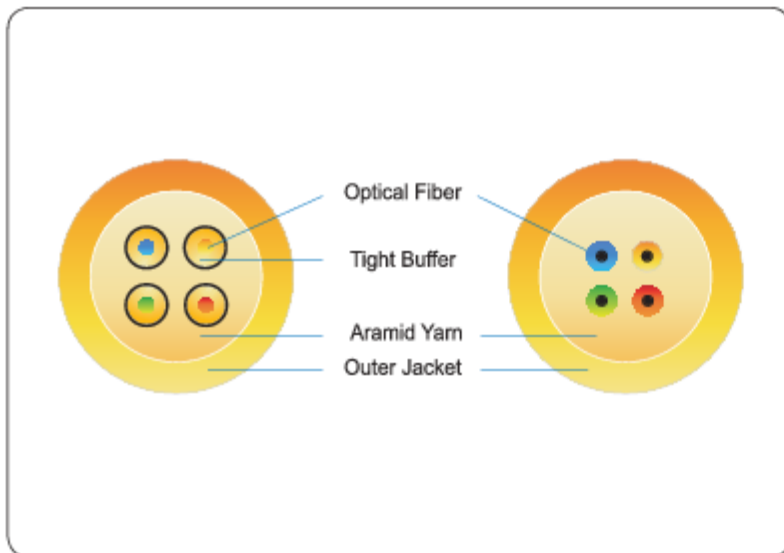
Optical Fiber Cable

Drop Cable



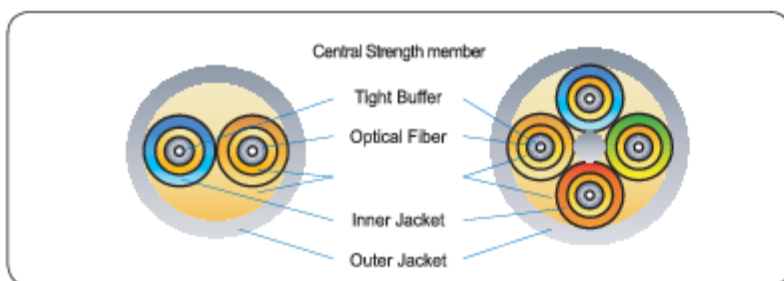
| ITEM | Rectangle Shape | | Cycle Shape | |
|---------------------------------|------------------------------------|-------------|-------------|---------|
| Number of Cores | up to 6 | up to 2 | up to 6 | up to 4 |
| Dimension or Outer Diameter(mm) | 2(H) x 3.1(W) | 4(H) x 8(W) | 7.0 | 6.8 |
| Weight(kg/km) | 25 | 40 | 45 | 40 |
| Tension Member | Strength Member(Steel Wire or FRP) | | | |
| Material /Size | /1.0mm x 2(ea) | | | |
| Sheath Material | PVC, PE, PU, LSZH | | | |
| Max. Tensile Load(kg) | 150 | | 150 | |

FTTH Cable



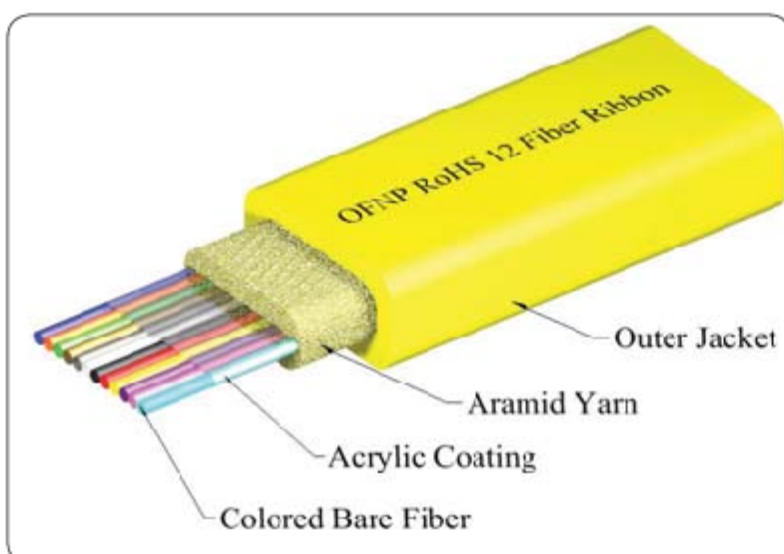
| Number of Core | | Diameter (mm) | Weight (kg/km) | Max.Tensile Load(kg) |
|----------------|-----|---------------|----------------|----------------------|
| 1 | TB | 3.0 | 8 | 66 |
| 2 | CF | 3.6 | 14 | 66 |
| 4 | SM2 | 3.8 | 11 | 66 |
| | MM2 | | | |
| 6 | SM2 | 5.0 | 25 | 66 |
| | MM4 | | | |
| | SM4 | | | |
| | MM2 | | | |

Military Tactical Cable



| Number of core | Outer Diameter (mm) | Weight (kg/km) | Max.Tensile Load (kg) | Min. Bending Radius (mm) | |
|----------------|---------------------|----------------|-----------------------|--------------------------|-----------|
| | | | | Installation | Operation |
| 2 | 6.5 | 35 | 200 | D×20 | D×10 |
| 4 | 7.0 | 45 | 200 | | |

Ribbon Cable



| ITEM | Outer Diameter (mm) | COLOR | Weight (Kg/Km) | Max. Tensile Load(kg) |
|------|---------------------|--|----------------|-----------------------|
| 2c | 2.0*2.2 | BLUE,ORANGE | 6 | 50 |
| 4c | 2.0*2.2 | BLUE,ORANGE,GREEN,BROWN | 8 | |
| 8c | 4.3*2.2 | BLUE,ORANGE,GREEN,BROWN,GRAY,WHITE,RED,BLACK, | 9.5 | |
| 12c | 4.3*2.2 | BLUE,ORANGE,GREEN,BROWN,GRAY,WHITE,RED,BLACK,YELLOW,VIOLET,ROSE,AQUA | 12 | |

Hybrid Optical Fiber Cable & Connector



Cable Assembly



Hybrid Optical Fiber Receptacle Cable



Connectors



Receptacles

►► Applications

- HDTV
- CATV networks
- Data system networks
- Telecommunication network
- Local area network
- Broadcasting
- Transportation
- Special environments

►► Features & Benefits

- Push-pull self-latching system
- Very low optical loss
- Reliable design for outdoor application
- In-line connectors for chaining of cables
- World-wide product support
- Compact design
- (2 fibers, 2 power contacts and 2 signal contacts)
- Tested to the requirements of IEC 874-1
- UL 498 recognition
- Pre-terminated cables available
- Connecting wall terminal panels splice enclosures, etc
- All cable lines are protected by a spiral tube
- SC connectors SPC polish (RL>45dB)
- Electrical lines come with nylon connectors, which are easily connected
- Optical Fiber cables are single-mode ($\lambda=1.3\mu\text{m}$) with transmission loss of 0.5dB
- Deployable in harsh environments


Hybrid Optical Fiber Cable & Connector

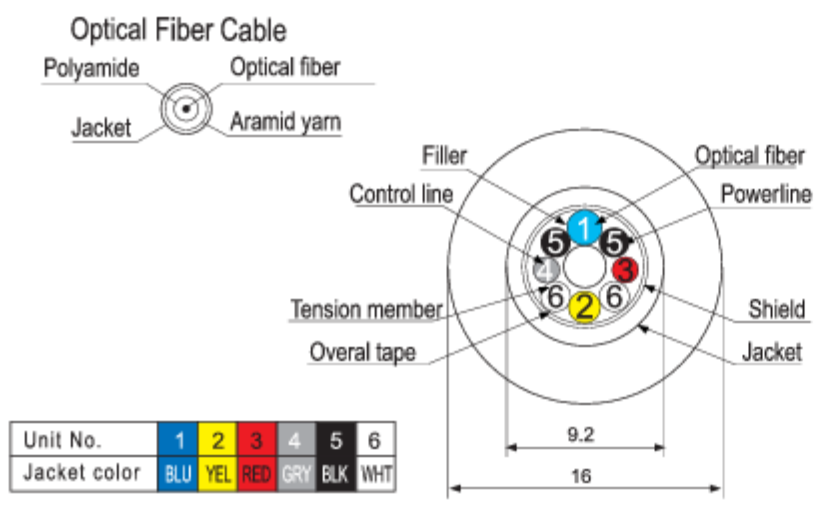
Specification

| | Parameter | Power | Signal |
|----------------------------|------------------------|-------------|-----------|
| Electrical Characteristics | Number of contacts | 2 | 2 |
| | Contact type for plugs | male | female |
| | Conductor AWG min | 1.3mm | 0.9mm |
| | Conductor AWG max | 14mm | 20mm |
| | Operating voltage max | ≤600 V rms | ≤42 V rms |
| | Contact resistance | < 3.6mΩ | < 4.8mΩ |
| Optical Characteristics | Number of fibers | 2 | |
| | Type of contact | F2 | |
| | Fiber type | SM | |
| | Mean insertion loss | 0.33 dB (1) | |
| | Return loss | > 45 dB (2) | |

(1) Tested at 1310nm in accordance with IEC 874-1 method 7

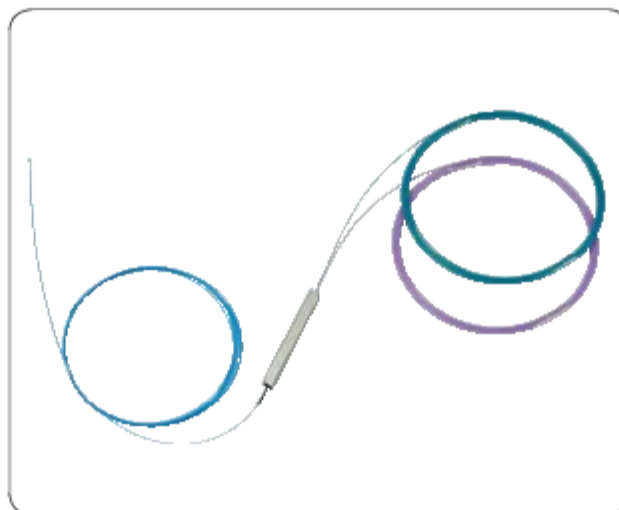
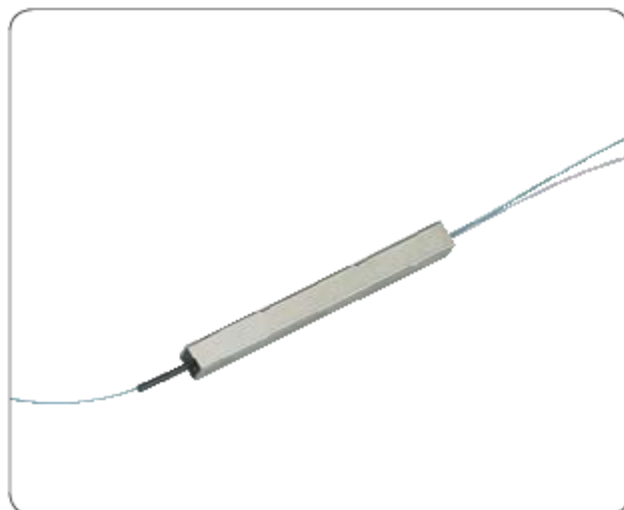
(2) Super PC machine polishing

| Type | Model | Nom O.D | Weight | Overall shield coverage | Tension tolerance | Bend radius tolerance | Temperature range |
|--|----------|---------|-----------|-------------------------|-------------------|---|---------------------|
| | | mm | kg / 100m | % | N | | |
|  LF-2SM9R Jacket color for LF-2SM9R, LF-2SM16: Black | LF-2SM9R | 9.2 | 11.0 | 91.8 | 700 [71kgf] | Over 6 times cable outer diameter | -40°C ~ +80°C |
| | LF-2SM9 | | | | | | |
| | LF-2SM16 | 16.0 | 28.0 | | | | |

| Cross-Sectional View | Configuration | |
|---|---------------------|---|
|  | Optical fiber cable | 2 single-mode fibers (blue, yellow) Core outer diameter 0.9mm, jacket outer diameter 1.7mm Transmission loss 0.5dB/km or less ($\lambda=1.3\mu\text{m}$) 0.2dB or less when less than $L > 0.2\text{km}$ |
| | Power line | 4x0.52mm ² (20 AWG, black, white) 21/0.18TA, conductor resistance 37.5Ω/km or less Insulation resistance 10000Ω or more • km Withstand voltage 1750V AC 1mim |
| | Control line | 2x0.18mm ² (25 AWG, red, gray) 7/0.18TA, conductor resistance 113Ω/km or less Insulation resistance 10000Ω or more • km Withstand voltage 1750V AC 1mim |

* Hybrid Optical Fiber Cable & Connector can be Customized for Special Orders (Color, Core, etc...)

PLC Splitter



►► Applications

- FTTx
- LAN, WAN and Metro networks
- Analog / Digital Passive Optical Networks
- CATV Networks
- Other applications in fiber optic systems

►► Features & Benefits

- Compact design
- Low insertion loss and low PDL
- High reliability
- High channel counts
- Wide wavelength range
- Wide operating temperature range
- Customized packaging and configuration

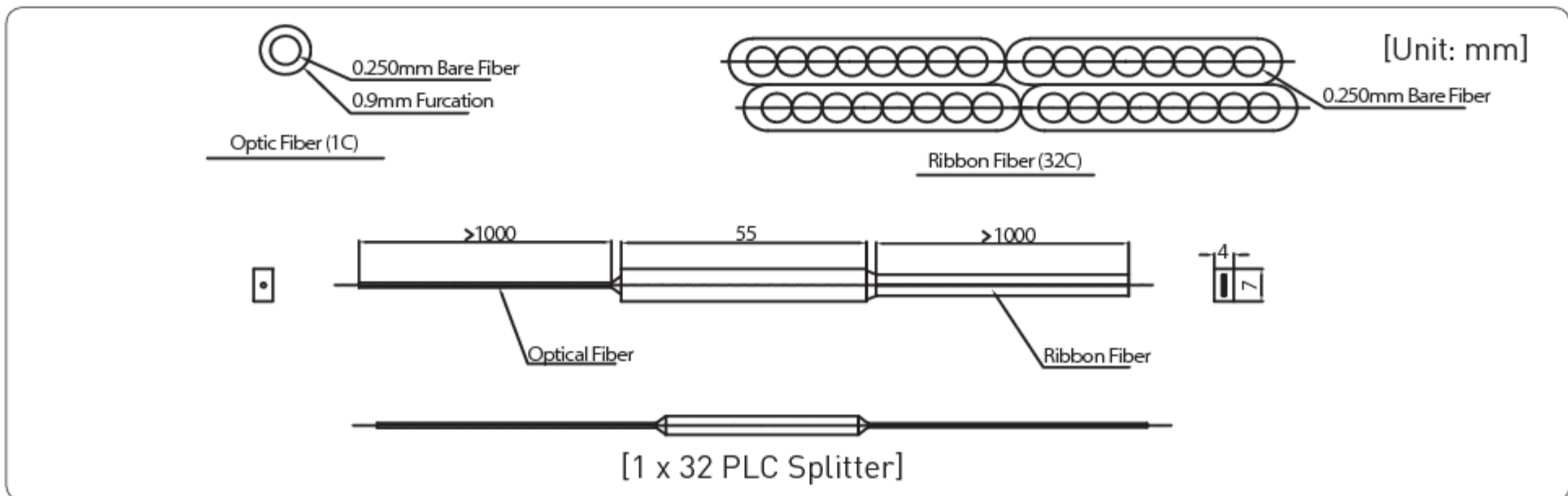
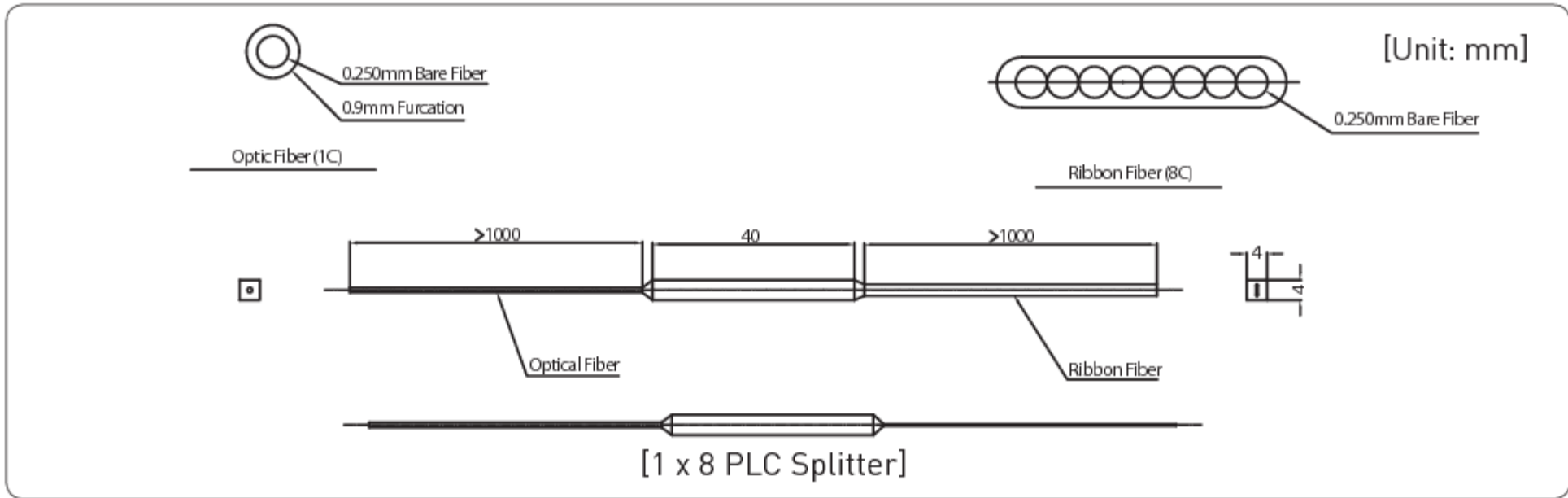
Specification

| Parameter | N x 4 | N x 8 | N x 16 | N x 32 |
|----------------------------------|---------------|--------|------------|--------|
| Fiber | SMF-28 | | | |
| Operating Wavelength [nm] | 1260 ~ 1620 | | | |
| Insertion Loss [dB] | ≤ 7.4 | ≤ 10.7 | ≤ 13.9 | ≤ 17.5 |
| Uniformity [dB] | ≤ 0.5 | ≤ 0.8 | ≤ 1.3 | ≤ 1.5 |
| Polarization Dependent Loss [dB] | 0.2 | 0.2 | 0.3 | 0.3 |
| Return Loss [dB] | > 50 | | | |
| Directivity [dB] | > 55 | | | |
| Operating Temperature | -40°C ~ +85°C | | | |
| Storage Temperature | -60°C ~ +85°C | | | |
| Dimensions [L x W x H] [mm] | 40 x 4 x 4 | | 55 x 7 x 4 | |

* Note : All measurement were tested at room temperature without connectors.

PLC Splitter

Splitter Drawing

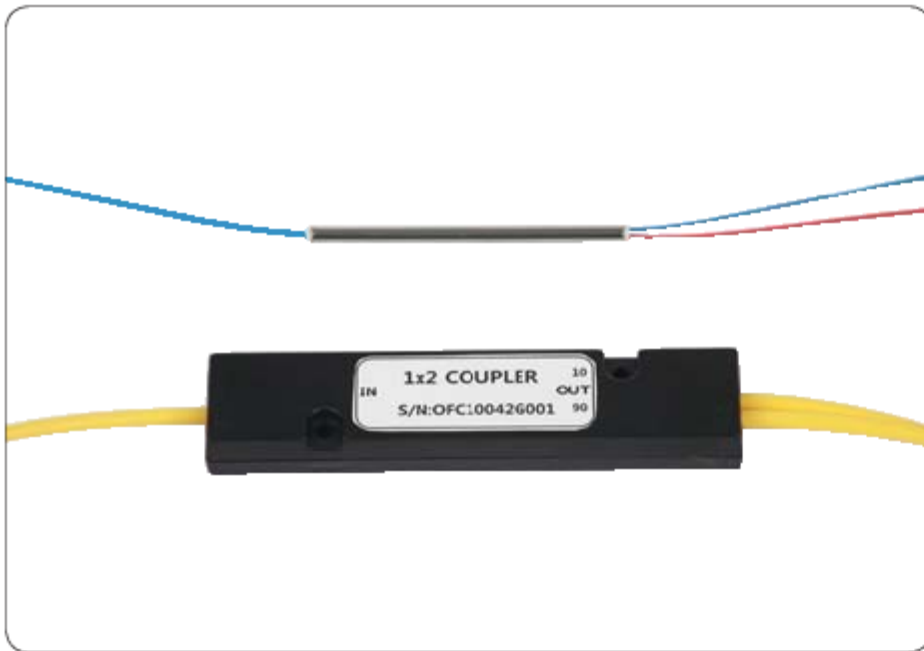


Ordering Information

PLCS

| PLC Splitter | Configuration | Input Fiber Type | Input Connector Type | Output Fiber Type | Output Connector Type | Packaging Type | Cable Length in/Out [m] |
|--------------|---------------|---------------------|----------------------|---------------------|-----------------------|----------------|-------------------------|
| | Nx2 | B: 250μm Bare Fiber | 0: None | B: Ribbon Fiber | 0: None | S: Sus | N/N |
| | Nx4 | L: 900μm Loose Tube | 1: SC / UPC | L: 900μm Loose Tube | 1: SC / UPC | F: Fanout | |
| | Nx8 | Other | 2: FC / UPC | Other | 2: FC / UPC | C: Case | |
| | Nx16 | | 3: LC / UPC | | 3: LC / UPC | R: Rack | |
| | Nx32 | | 4: SC / APC | | 4: SC / APC | T: CASSETTE | |
| | Nx64 | | 5: FC / APC | | 5: FC / APC | | |
| | | | Other | | Other | | |

Optical Fiber Coupler



Applications

- Optical fiber communications systems
- LAN, CATV, FTTH
- Fiber optic sensor
- Telecommunication

Features & Benefits

- Low excess loss
- Low PDL
- Dual operating windows
- High stability and reliability
- Efficient distribution of optical power

Specification

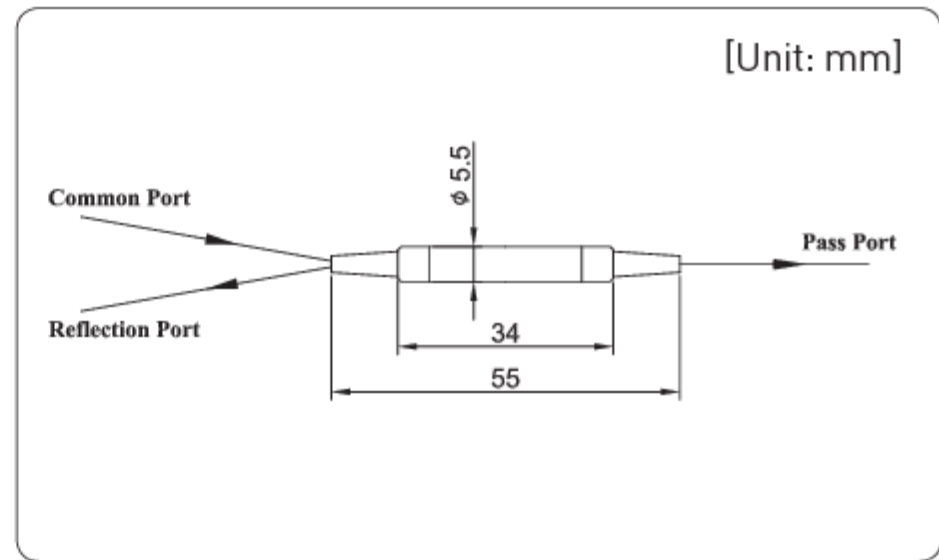
| Parameter(N=1.2) | NX 2 | | NX 4 | | NX 8 | | NX 16 | | N=32 | |
|-----------------------------|---------------------|------|---------------|------|-------|-------|----------------|-------|-------|-------|
| Operating Wavelength [nm] | 1310 / 1490 or 1550 | | | | | | | | | |
| Operating bandwidth [nm] | ±40 or ±20 | | | | | | | | | |
| Grade | P | A | P | A | P | A | P | A | P | A |
| Insertion Loss [dB] | ≤3.4 | ≤3.7 | ≤7.4 | ≤7.6 | ≤10.8 | ≤11.4 | ≤14.4 | ≤15.2 | ≤18.0 | ≤19.0 |
| Directivity [dB] | > 55 | | | | | | | | | |
| Operating Temperature | -40°C - +85°C | | | | | | | | | |
| Dimensions [L x W x H] [mm] | 85 x 17.5 x 10 | | 100 x 80 x 10 | | | | 141 x 115 x 18 | | | |

* Note : All measurement were tested at room temperature without connectors.

Ordering Information

| OCM | Configuration | Input Fiber Type | Input Connector Type | Output Fiber Type | Output Connector Type | Packaging Type | Cable Length in/Out [m] |
|-----|---------------|---------------------|----------------------|---------------------|-----------------------|----------------|-------------------------|
| — | Nx2 | B: 250μm Bare Fiber | 0 : None | B: 250μm Bare Fiber | 0 : None | S: Sus | N / N |
| — | Nx4 | ∅ 0.9 | 1: SC / UPC | ∅ 0.9 | 1: SC / UPC | C: Case | |
| — | Nx8 | ∅ 2.0 | 2: FC / UPC | ∅ 2.0 | 2: FC / UPC | R: Rack | |
| — | Nx16 | ∅ 3.0 | 3: LC / UPC | ∅ 3.0 | 3: LC / UPC | T: CASSETTE | |
| — | Other | 4: SC / APC | 4: SC / APC | Other | 4: SC / APC | | |
| — | | 5: FC / APC | 5: FC / APC | | 5: FC / APC | | |
| — | | Other | Other | | Other | | |

Triplexer Filter

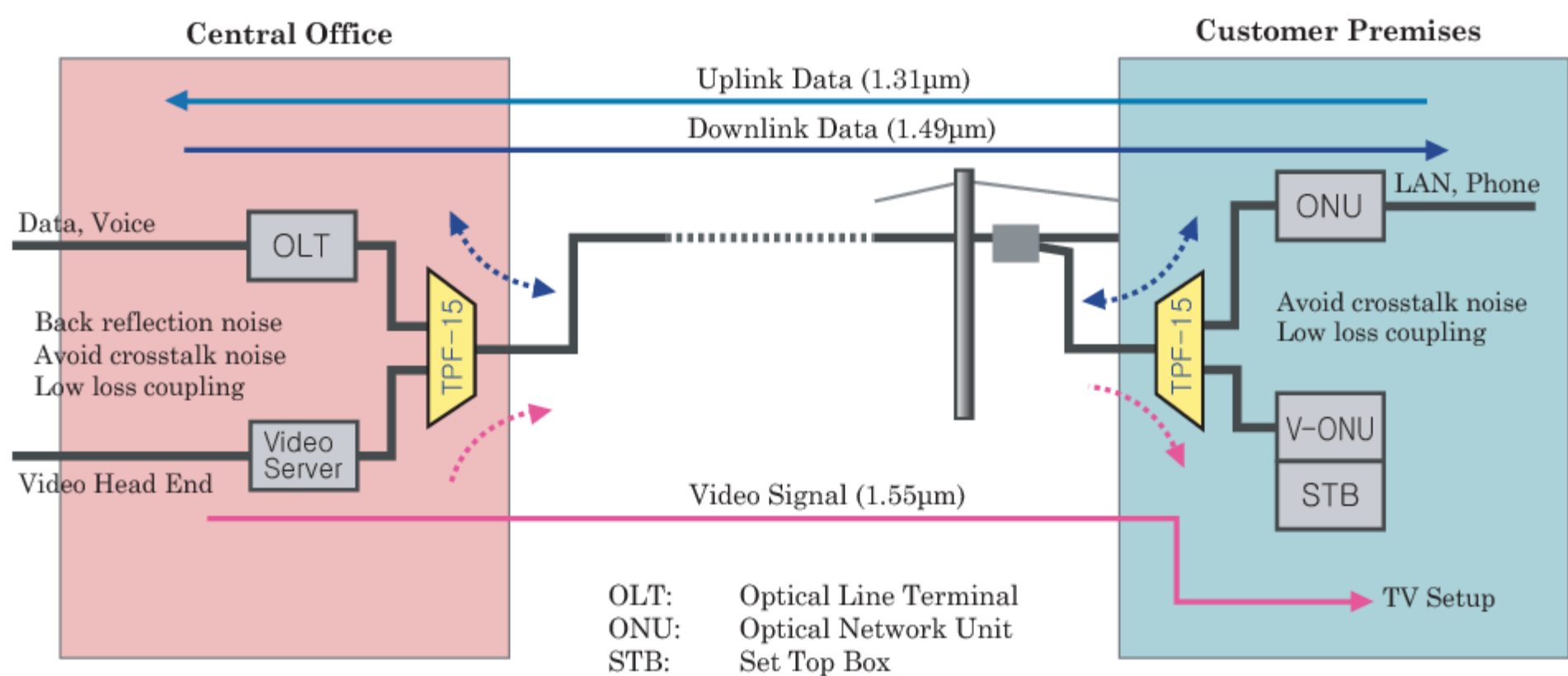


Specification

| Parameter | Value |
|-------------------------------------|--|
| Central Wavelength [nm] | 1310, 1490, 1550 |
| Pass Band [nm] | 1310 \pm 10, 1490 \pm 10 & 1550 \pm 10 |
| Pass Band Insertion Loss [dB] | \leq 0.8 [0.6 typical] |
| Reflection Band Insertion Loss [dB] | \leq 0.6 [0.4 typical] |
| Pass Band Isolation [dB] | $>$ 30 |
| Reflection Band Isolation [dB] | $>$ 15 |
| Directivity [dB] | $>$ 55 |
| Return Loss [dB] | $>$ 50 |
| PDL [dB] | $>$ 0.1 |
| Power Handling [mW] | $>$ 500 |
| Operating Temperature [°C] | -40 ~ +85 |
| Storage Temperature [°C] | -40 ~ +85 |
| Dimensions [mm] | ϕ 5.5 x L34 |

* Note : All measurement were tested at room temperature without connectors.

Passive Optical Network



◉ CWDM / DWDM Module



►► Applications

- Line monitoring
- WDM Network
- Telecommunication
- Cellular application
- Fiber optical amplifier

►► Features & Benefits

- Low insertion loss
- Wide pass band
- High channel isolation
- High stability and reliability
- Access Network

Specification

| Parameter | | Value |
|----------------------------------|--------------------|-------------------------------------|
| Operating Wavelength[nm] | | 1260-1620 |
| Channel No. | | 2 / 4 / 8 / 16 / Other |
| Center wavelength[nm] | | 1310 / 1490 / 1550 / 1470 ~ 1620 |
| Passband width[nm] | | CWDM : ± 7.5 DWDM : 0.22 |
| Passband flatness [dB] | | ≤ 0.5 |
| Insertion Loss | COM→Pass Port [dB] | ≤ 2.8 |
| Isolation | COM→Pass Port [dB] | Adjacent channel isolation : 30 |
| | COM→Pass Port [dB] | Non-adjacent channel isolation : 40 |
| Polarization Dependent Loss [dB] | | ≤ 0.15 |
| Return Loss [dB] | | ≥ 50 |
| Directivity [dB] | | ≥ 55 |
| Optical Power [mW] | | ≤ 500 |
| Fiber Type | | SMF - 28 |
| Operating Temperature [°C] | | -10 ~ +70 |
| Storage Temperature [°C] | | -40 ~ +85 |
| Dimension [mm] | | 100 x 80 x 10 / 140 x 115 x 18 |

Optical Fiber Switch



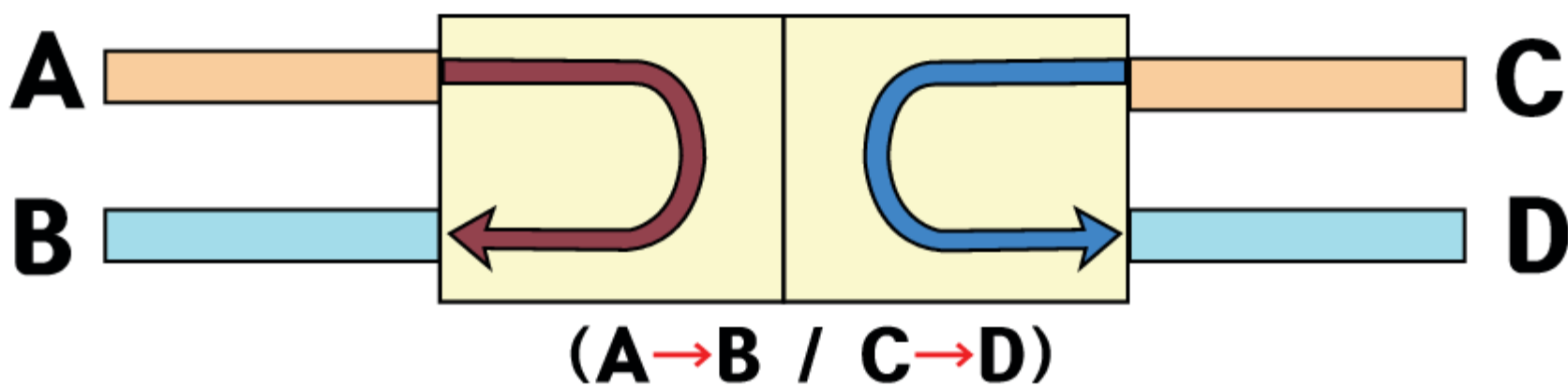
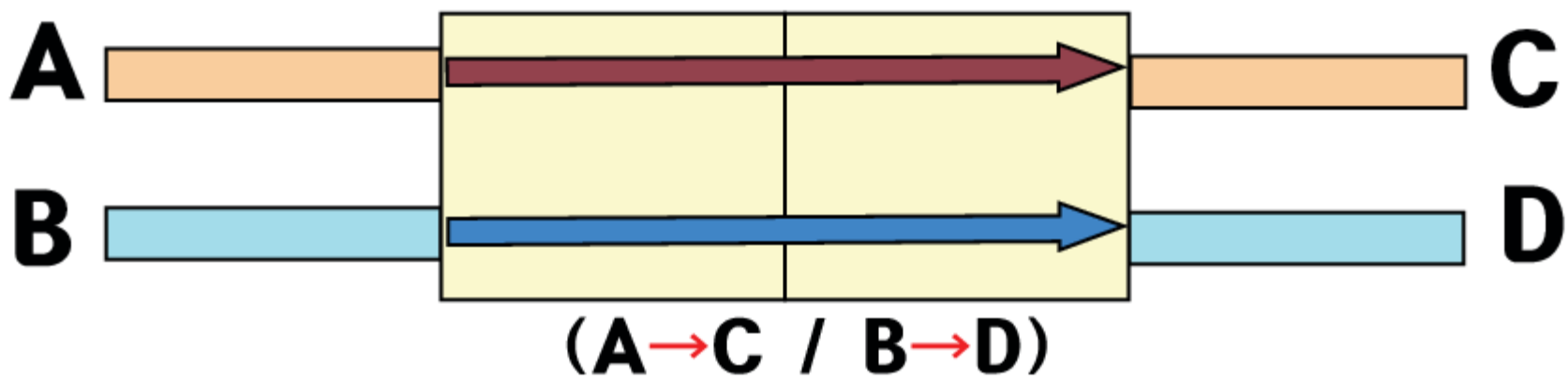
Applications

- Configurable OADM
- Metropolitan area networks
- System monitoring
- Component testing
- R&D

Features & Benefits

- Low insertion loss
- Wide wavelength range
- High reliability, high dependability

Switch Migration



Optical Fiber Switch

Specification

| Parameter | Value |
|----------------------------|-------------------------------|
| Wavelength Range [nm] | 1260 ~ 1620 |
| Testing Wavelength [nm] | 1310 / 1490 / 1550 / 1620 |
| Insertion Loss [dB] | Typ: 1.4 Max: 1,7 |
| Return loss [dB] | ≥ 50 |
| Cross - Talk [dB] | ≥ 55 |
| PDL [dB] | ≤ 0.05 |
| WDL [dB] | ≤ 0.25 |
| TDL [dB] | ≤ 0.25 |
| Repeatability [dB] | ≤ ±0.02 |
| Operation Voltage [V] | 3.0 or 5.0 |
| Durability (Life) [Time] | ≥ 10 ⁷ |
| Switching Time [ms] | Bar ⇒ Cross ≤3 Bar ⇒ Cross ≤5 |
| Transmission Power [mW] | ≤500 |
| Operating Temperature [°C] | -5 ~ +70 |
| Storage Temperature [°C] | -40 ~ +85 |

Ordering Information

OFS — ■ — ■ — ■ / ■ — ■ — ■ — ■ — ■

| Optical Fiber Switch | Configuration | Voltage [V] | Control Model | Fiber Type | Connector Type | Fiber Length [m] | Cable Diameter |
|----------------------|---------------|-------------|---------------|---------------|----------------|------------------|----------------|
| | 2 x 2 | 3 | Locked | G.652 [9/125] | SC | 0.5 | ∅0.9 |
| | | 5 | Non-Locked | | FC | 1.0 | Other |
| | | | | | LC | 1.5 | |
| | | | | | ST | 2.0 | |
| | | | | | Other | Other | |

Light Source



Provides 1~6 wavelengths output which can be optional according to customers' needs

1310/1550nm wavelengths for single mode fiber or the 850/1300nm wavelengths for multimode fiber

Features an ultra-bright backlit LCD, Universal Adaptors, High visibility rugged case, protective belt pouch and handy carry strap

Perfect for any fiber optic test environment.

Part No: FOLS001

Applications

- Telecom Maintenance
- CATV Maintenance
- Fiber Optic lab testing
- Other Fiber Optic Measurements

Features & Benefits

- Provides 1~6 wavelengths output which can be optional according to customers' needs
- CW 2Hz modulation output at 650nm, and CW, 270Hz, 1KHz, 2KHz modulation output at other wavelengths.
- High stability of the output power
- Stable output wavelength
- Backlight LCD display supports night operation
- Low battery power indication

Specification

| | |
|------------------------------|---|
| Wavelength(nm) | Provides 1~6 Wavelengths according to needs. |
| Emitter Type | FP-LD, LED |
| Typical Output Power (dBm) | 0@650nm / -7@1310nm, 1550nm, -20dBm for LED |
| Spectral Width(nm) | ≤10 |
| Output Stability | ±0.05dB / 15mins; ±0.1dB / 8hours |
| Modulation Frequencies | CW.2Hz@650nm/CW, 270Hz, 1KHz, 2KHz@1310nm, 1550nm |
| Optical Connector | FC/PC(Other type adaptors can be required) |
| Power Supply | Alkaline Battery(3 AA 1.5V batteries); AC Adaptor(9V) |
| Battery Operating Time(hour) | 45 |
| Operating Temperature(°C) | -10 ~ +60 |
| Storage Temperature(°C) | -25 ~ +70 |
| Dimension(mm) | 190x100x50 |
| Weight(g) | 370 |

Power Meter



Multi-functional fiber optic power meter designed for the installation, construction and maintenance of fiber optic networks.

Ideal For Use In Fiber Optic Telecommunications and Data Networks.

Capable of accurately measuring power in wavelengths of 850, 1300, 1310, 1490, 1550 & 1625nm

Part No: FOPM001

Applications

- Telecom Maintenance
- CATV Maintenance
- Fiber Optic lab testing
- Other Fiber Optic Measurements

Features & Benefits

- Wide dynamic measurement range (up to 80dB)
- Reference power level storage(Ref Setting)
- User self-calibration function
- Comfortable LCD display and backlight LCD display supports night operation.
- Power measurements in dBm or mw and insertion loss in dB
- 10 minutes Auto-off function can be activated or deactivated.
- AA alkaline batteries can last more than 140 hours, AC adaptor also available
- Low battery indication

Specification

| | |
|---------------------------|--|
| Wavelength(nm) | 800~1700nm |
| Detector Type | InGaAs |
| Detector Size | Ø 1.0mm |
| Measurement Range(dBm) | -70 ~ +10 |
| Uncertainty | ± 5% |
| Calibrated Wavelength(nm) | 850, 1300, 1310, 1490, 1550, 1625 |
| Resolution(dB) | 0.01 |
| Optical Connector | FC(interchangeable SC, ST)/ as well as 2.5mm universal |
| Power Supply | Alkaline Battery(3 AA 1.5V batteries); AC Adaptor(9V) |
| Battery Operating Time | 140 h with 1.5V Battery(3pcs) |
| Operating Temperature(°C) | -10 ~ +60 |
| Storage Temperature(°C) | -25 ~ +70 |
| Relative Humidity | 0 to 95% (non-condensing) |
| Dimension(mm) | 190x100x50 |
| Weight(g) | 370 |

◉ Fiber Ranger



▶▶ Applications

- Testing the distance of the fiber and identify the faults location in fiber link.
- Locates reflective and non-reflective breaks in the fiber network.
- Inspection of fiber repair and maintenance.

▶▶ Features & Benefits

- Portable, rugged, lightweight; Easy to use.
- More accurate testing results and better repeatability.
- Up to 8 fiber faults can be detected in each measurement.
- Automatic Pulse Width Control Design To Ensure a Convenient Operation
- Built-in visual fault locator(VFL), Conveniently to find the faults dead zone.
- Dust, water and shock proof, designed for field use.

Part No: FMOTDR001

Specification

| | | |
|--------------------------------------|----------------------|---|
| Operating Wavelength | | 1550nm (1310nm Optional) |
| Fiber Type | | 9/125um SM Fiber |
| Optical Connector Type | | FC / PC |
| Detector Type | | InGaAs |
| Peak Power of laser | | ≤60mW |
| Max. Displaying Distance | Reflection Event | 60km (≥1dB) |
| | Non-reflection Event | 20km (≥2.5dB) |
| Measurement Unit | | m |
| Reflection Event Dead Zone | | 15m |
| Distance Accuracy (Reflection Event) | | ±(2m+2*10 ⁻³ * Distance) |
| Wavelength of VFL Option | | 650nm |
| Output Power of VFL Option | | >=1mW |
| Power Supply | | Alkaline Battery (3pcs aa 4.5V Batteries) |
| Battery Operating Time | | ≥5000 measurements |
| Working Temperature | | -5~40℃ |
| Storage Temperature | | -10~60℃ |
| Humidity | | 0~85% (Non-condensation) |
| Dimensions | | 190*100*50mm |
| Weight(g) | | 450 |

OTDR Launch Box

Designed to aid in the testing of fiber optic cable when using an OTDR. The OTDR Launch box is used with Optical Time Domain Reflectometers (OTDR's) to help minimize the effects of the OTDR's launch pulse on measurement uncertainty. Available in many different configurations and fiber lengths.



►► Applications

- Pulse Suppressor, Launch Box, Delay Line, Installation/Testing, Training, Calibration
- Nonmetal construction will not dent, corrode, or conduce electricity
- Water and dust prove allowing the unit to be taken into almost any environment
- Case can house up to 2,000 meters of fiber
- Auto Purge Valve for changes in altitude and temperature

Specification

| | |
|------------------------------|------------------------------|
| Length x Width x Height (cm) | 23.80 x 14.12 x 6.65 |
| Material | SR Polypropylene |
| Color | Black / Yellow |
| Weight | 0.75kg(without fiber) |
| Operating temperature | -40 to +55°C |
| Typical Loss | <1dB@ 1310nm for 1000 meters |

◉ Fusion splicer



►► Features

- Compact and light weight
- Easy operation
- 8s splicing time
- 30s heating time
- Clear display of fiber core with higher magnification
- Single X or Y view, or X & Y view simultaneously
- Auto inspection of cleaved fiber end-face
- Auto selection of most suitable splicing program
- Auto calculation of splicing loss
- 5 inch color LCD monitor with clear digital image display
- Simple Operation menu

Part No: FOFS002

Specification

| Optical Specifications | |
|------------------------------------|---|
| Fiber Types | Single mode (ITU-T G.652), multimode (ITU-T G.651), dispersion shifted (ITU-T G.653), non-zero dispersion shifted (ITU-T G.655), G.657. |
| Average Splicing Loss | 0.02dB with G.652, 0.01dB with G.651 and 0.04dB with G.653 and G.655 |
| Splicing & Heating Time | Typical splicing time:8s, Typical heating time:30s |
| Fiber Coating | 100µm to 1000µm |
| Fiber Cladding | 80µm to 150µm |
| Fiber Cleave Length | 8~16mm(coating diameter<250µm), 16mm(coating diameter 250~1000µm) |
| Program | 10 units factory setting SM program, 10 units factory setting MM program, and 30 units user setting SM program,30 units user setting MM program |
| Align Mode | Advanced profile alignment system(PAS) |
| Storage | 4000 results |
| Data Transmission | USB port &VGA |
| Heater | Auto Heat Mode, the typical heating time is 30 seconds |
| Work mode | Automatic, Half Automatic, Manual |
| General Specifications | |
| Power Supply | Alternating Current:100-240 50Hz/60Hz 30W, Direct current:13.5V/4.5A Built in 11.1V Li-ion battery charger and AC adaptor |
| Battery Life | Support 220 times splicing and heating on one charge(3.5hours) at least |
| Tension Test | 2N |
| Electrode Lifetime | >4000 times, replaceable |
| Operating Temperature | -25°C ~ 50°C |
| Storage Temperature | -40°C ~ 80°C |
| Relative Humidity | 0 to 95% (non-condensing) |
| Instrument Weight | 2.3kg(no battery), 2.8kg(including battery) |
| Dimensions(L x W x H) | 160mm×150mm×140mm |
| Package G.W/N.W | 8.0/7.0kg (500mm×350mm×400mm) |

◉ Cleaver



Specification

| | |
|-----------------------|------------------------------|
| Compatible fiber size | 900um Buffer or 250um Coated |
| Cleave Length | 10 to 25mm |
| Blade life | 48,000 cleaves |
| Cleave angle | 90 ±0.5° |

Part No: FOC001



Specification

| | |
|-----------------------|------------------------------|
| Compatible fiber size | 900um Buffer or 250um Coated |
| Cleave Length | 2 to 20mm |
| Dimensions | 125W x 20D x 42H (mm) |
| Weight | 65g |

Part No: FOC002

►► Features

- Fiber Types : Multimode or Singlemode (125µm Fiber)
- Buffer sizes : 250µm-900µm buffer
- Cleave Length : 10mm to 25mm(adjustable)
- Cleave Angle : 90 ±0.5°
- Blade Type : Diamond
- Blade Life : 48,000 Cleaves
- Leather Case
- Allen key for blade adjustment and bin access.
- Instruction Manual
- 12 Month Warranty

►► Benefits

- Quick, smooth and simple to operate.
- Precisely cleave all 125 µm Multimode or Singlemode optical fibers
- Essential for OH&S requirements and is easy to empty without risking skin contact with sharp fiber off cuts.
- Features a durable metal chassis, replaceable blade, handy adjustment tool, soft carry case and Instruction manual.

◉ Inspection Micro Scope Tool Kit

Portable Inspection Scope Set



Inspection Scope



One Click Cleaner



This product is a portable, video microscope used to inspect all kinds of fiber optic terminations, especially for the female ones. It eliminates the need to access the backside of patch panels or disassemble hardware devices prior to inspection. 3.5" TFT 220k Pixels LCD, 250 magnification, USB output, data stored.

Specification

| SPECIFICATION | |
|------------------------------|---|
| Length x Width x Height (cm) | 29.40 x 4.32 x 17.78 |
| Weight | 0.3 lb. / 0.14 kg. |
| Camera Type | 0.33inch CCD |
| Video Output | PAL/NTSC USB2.0 |
| Light Source | Blue LED, 100,000 + hrs life |
| LCD Display | |
| Dimensions | (3.7"W) x (4.17" H) x (1.37" D) |
| Weight | 0.92 lb. / 0.42 kg. |
| Video Display | 3.5"TFT Active Matri x 2.2 million pixels |
| Power Source | Input AC, Output 110-240 V DC, 12.6V |
| Working Time | Continuous Working Time > 8 hrs |
| Charging Time | 4 hrs |

○ FTTx

Fiber Optic Tools



LASER FAULT LOCATOR (SN : LTL001, LTL002)



OPTIC FIBER MICROSCOPE (SN : VFM001)



LC FERRULE TUNING JIG (SN : LFT001)



HOUSING REMOVER (SN : FHR001)



JACKET STRIPPER (SN : FJS003)



FIBER STRIPPER (SN : FJS001, FJS002)



CABLE STRIPPER (SN : OCS001)



THERMAL STRIPPER (SN : FTS001)

Media Converter

Features & Benefits

- Link loss carry forward (LLCF) & link loss return (LLR)
- MDI to MDIX auto negotiation (A/N)
- Easy system configuration by DIP
- A/N or manual 10/100M and HDX/FDX selection
- F/O segment extension up to 2Km (MM) and 120Km (SM)
- Easy installation and maintenance
- Status monitoring by front LED display
- STP/UTP cabling support
- Far-end-fault detection



Specification

| Parameter | Value |
|------------------------------|--|
| Standard | IEEE 802.3ab 1000Base-TX |
| | IEEE 802.3z 1000Base-SX/LX |
| Connector | UTP/STP: RJ-45 |
| | OPTIC: SC type (ST/LC/MT-RJ → Optional) |
| Transmission Distance | UTP/STP: 100meters (Cat. 5) |
| | OPTIC: Multi mode: up to ~ 2km, Single mode: up to ~ 120km |
| Auto-negotiation | MDI/MDIX (Media Dependant Interface /Cross) |
| | 10/100Mbps, Half/Full Duplex |
| Transmission Speed | 100Mbps & 1000Mbps |
| Duplex Mode | Full / Half-Duplex |
| Display | FEF. SPD. FXL. TXL. FDX, PWR |
| Input Power | AC110/220V(50/60Hz), DC 24V/-48V(Optional) |
| Environmental Characteristic | Operating Temperature: 0°C ~ 70°C, Operating Humidity: 10% to 80% RH |
| Dimension (mm) | HxWxD (105x81x26.2) |

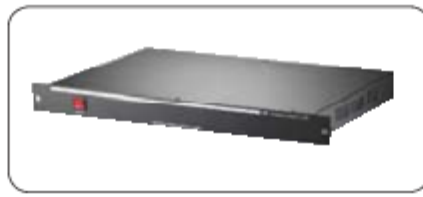
Ordering Information

| | | | | | | | | |
|------------------------|---|----------------------------------|---|-------------------|---|----------------------------------|---|------------------|
| MC | — | ■ | — | ■ | — | ■ | — | ■ |
| Media Converter | | Optic Mode | | Management | | Transmission Speed [Mbps] | | Connector |
| | | Single 20 Km | | S: with SNMP | | M: 10/100 | | SC |
| | | Single 40 Km | | X: without SNMP | | G: 10/100/1000 | | ST |
| | | Single 60 Km | | | | | | LC |
| | | Single 80 Km | | | | | | |
| | | Single 120 Km | | | | | | |
| | | Multi Mode | | | | | | |
| | | WBR WDM Bidirectional Receptacle | | | | | | |

Optical Video, Data & Audio Link



MODULE TYPE



44mm PANEL TYPE



TYPE After build into CARD

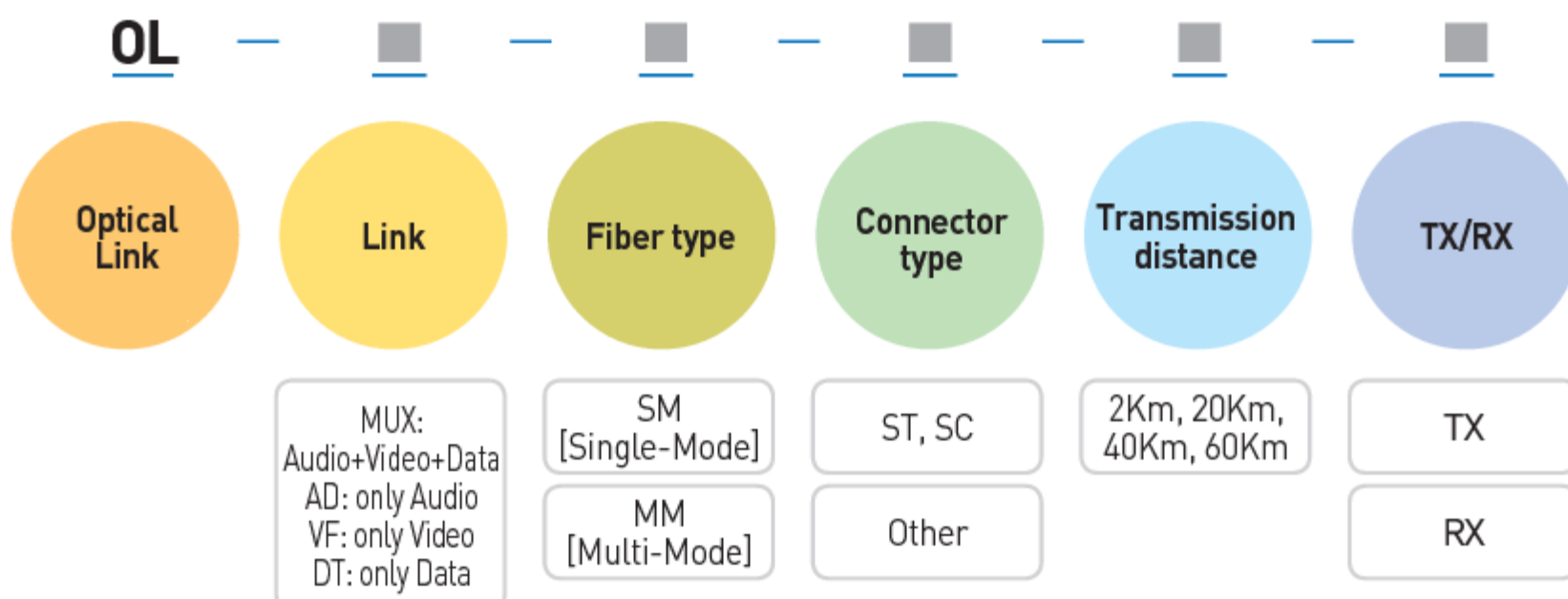
Applications

- ITV (CCTV), CATV
- Traffic control systems
- Security systems
- ITS systems
- Produce control systems
- Video conference systems

Specification

| Parameter | Conditions | | | Remark |
|---------------------------|---------------------------|----------------------|---------------|-------------------------|
| | Video | Data | Audio | |
| Complete system Bandwidth | 10Hz to 10MHz | 0 to 19.2kbps | 10Hz to 15KHz | |
| Input/ Output Impedance | 75Ω | - | 600Ω | Unbalanced |
| Input/Output Voltage | 1.0Vp-p | TTL, RS-232C, RS-422 | 0 dbm | |
| Signal to Noise Ratio | 60dB | - | 60dB | |
| Differential Phase | 4° | - | - | |
| Differential Gain | - | - | - | - |
| Operating Temperature | | -20°C ~ + 50°C | | 40°C (Option) |
| Signal Connector | BNC TYPE | DB 9 TYPE BNC TYPE | OPTION | |
| Modulation Form | P.F.M | F.S.K | F.M | |
| Power Requirement | AC 110/220V | | | ±10% |
| Operating Wavelength | 850nm, 1300nm, 1550nm | | | |
| Operating distance | 3, 5, 7, 10, 20, 50, 80Km | | | 120Km (Option) |
| Fiber Optic cable | SM/MM | | | 9/125, 62.5/125, 50/125 |
| Optical Connector | ST TYPE | | | |
| Dimension of Type | Module | 162(W)×30(H)×100(D) | | |
| | 44mm Panel | 483(W)×44(H)×305(D) | | |
| | Card (Slot) | 483(W)×132(H)×200(D) | | |

Ordering Information



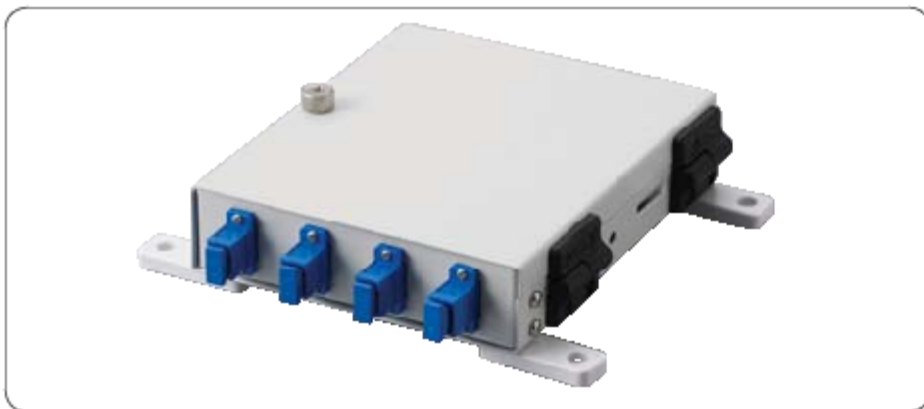
MOFD & MODP (Indoor)



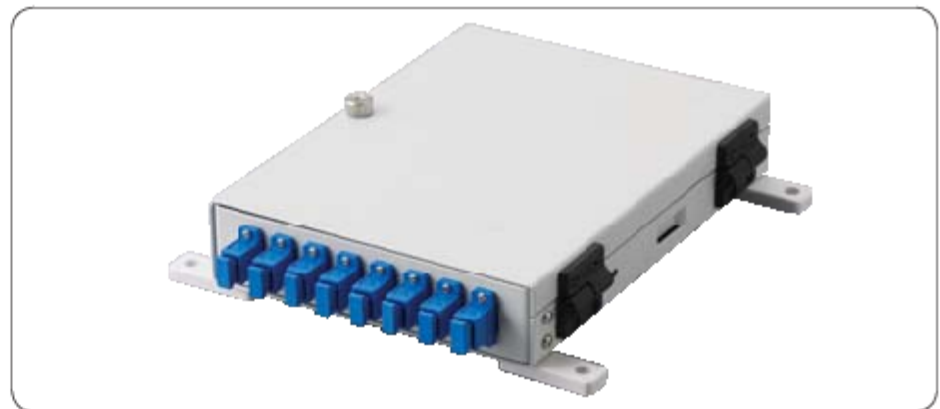
MOFD-4



MOFD-8



MODP-4



MODP-8

Applications

- Telecommunication networks
- Local Area Networks
- FTTH
- CATV networks
- Active device termination

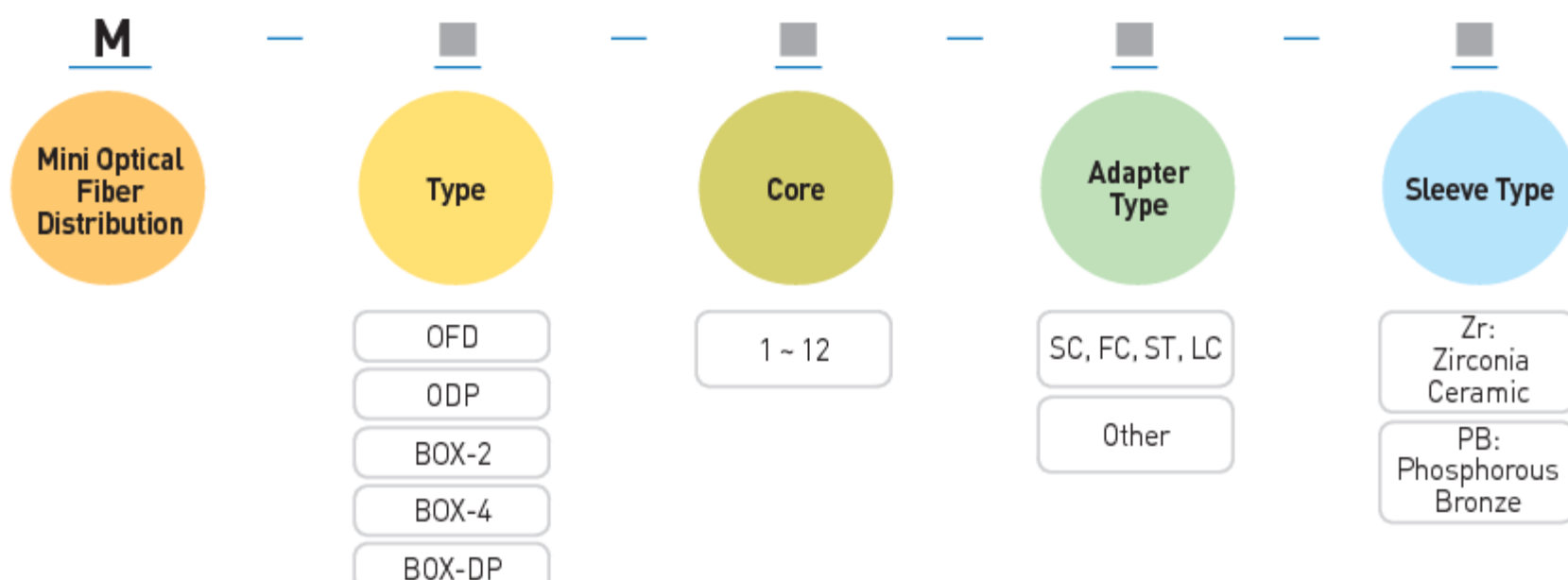
Features & Benefits

- Low excess loss & high performance
- Retractable splicing trays
- Convenience and ease of handling
- Ideal for small spaces
- Light weight

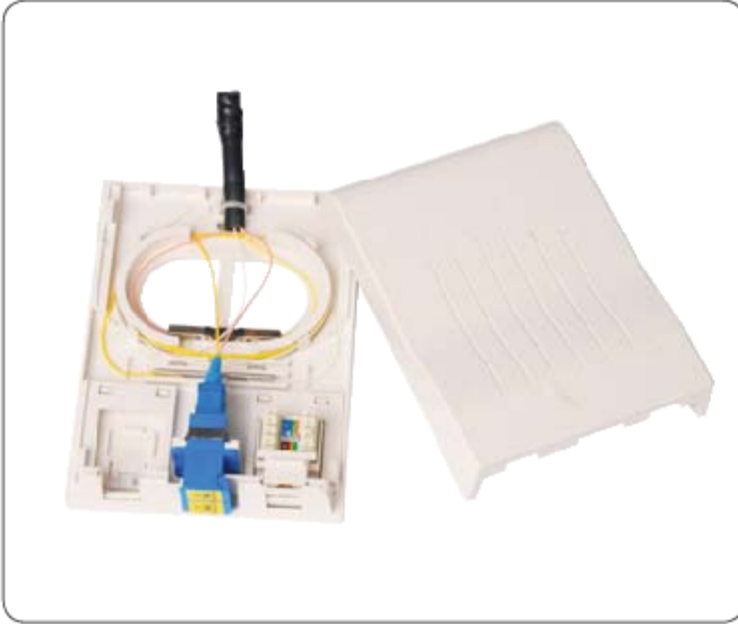
Specification

| Parameter | | Unit | MOFD | | MODP | | |
|----------------|--------|------|------|-----|-------|-------|-------|
| Fiber Capacity | | Core | 4 | 8 | 4 | 8 | 12 |
| Dimension | Height | mm | 38 | 40 | 30 | 35 | 35 |
| | Width | mm | 95 | 145 | 110 | 140 | 140 |
| | Depth | mm | 120 | 175 | 135 | 190 | 190 |
| Material | | | ABS | ABS | Steel | Steel | Steel |

Ordering Information



● MOUNT BOX-2 (Indoor)



Specification

| Parameter | Unit | MOUNT BOX-2 | |
|----------------|--------|-------------|-----|
| Fiber Capacity | Core | 2 | |
| Dimension | Height | mm | 30 |
| | Wight | mm | 96 |
| | Depth | mm | 130 |
| Material | | ABS | |

● MOUNT BOX-4 (Indoor)



Specification

| Parameter | Unit | MOUNT BOX-4 | |
|----------------|--------|-------------|-----|
| Fiber Capacity | Core | 4 | |
| Dimension | Height | mm | 36 |
| | Wight | mm | 92 |
| | Depth | mm | 120 |
| Material | | ABS | |

● MOUNT BOX-DP (Indoor)



Specification

| Parameter | Unit | MOUNT BOX-DP | |
|----------------|--------|--------------|-----|
| Fiber Capacity | Core | 4 | |
| Dimension | Height | mm | 20 |
| | Wight | mm | 82 |
| | Depth | mm | 138 |
| Material | | ABS | |

Optical Fiber Distribution

OFD (Optical Fiber Distribution)



OFD-1 [12/24Core]



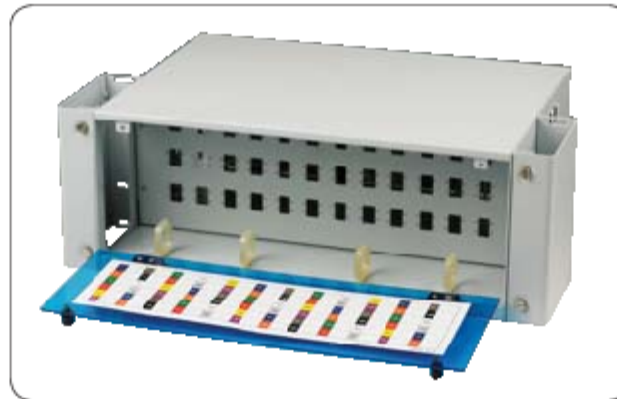
OFD-2 [12/24Core]



OFD-3 [12/24Core]



OFD-4 [48Core]



OFD-5 [144Core]



OFD-6 [288Core]

Applications

- Telecommunication networks
- Local Area Networks
- Data system networks
- CATV networks
- Active device termination

Features & Benefits

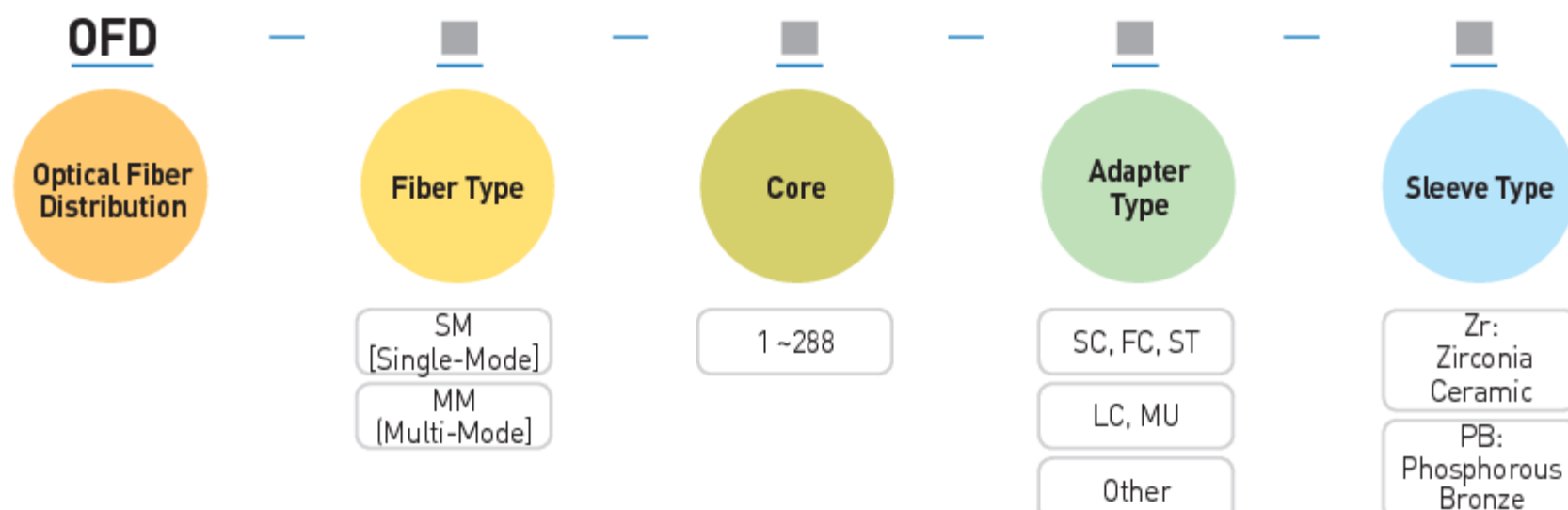
- Low excess loss & high performance
- Retractable splicing tray
- Convenience and ease of handling
- Compliant with rack system

Specification

[1U=44.45mm]

| Parameter | Unit | OFD-1 | OFD-2 | OFD-3 | OFD-4 | OFD-5 | OFD-6 |
|----------------|--------|-------|-------|--------|-------|-------|-------|
| Fiber Capacity | Core | ≤24 | ≤24 | ≤24 | ≤48 | ≤144 | ≤288 |
| Number of Tray | PCS | 1 | 1 | 1 or 2 | 2 | 5 | 12 |
| Dimension | Height | 1U | 1U | 3U | 5U | 5U | 9U |
| | Width | mm | 482 | 482 | 482 | 482 | 482 |
| | Depth | mm | 305 | 305 | 305 | 305 | 305 |
| Remark | | Round | Draw | Round | Panel | Panel | Panel |

Ordering Information



Optical Fiber Distribution

FDF [Fiber Distribution Frame]



FDF-1U [12 / 24Core]



FDF-2U [48Core]



FDF-3U [72Core]



FDF-Wall [24 / 48 / 72Core]

Applications

- Telecommunication networks
- Local Area Networks
- FTTH
- CATV networks
- Active device termination

Features & Benefits

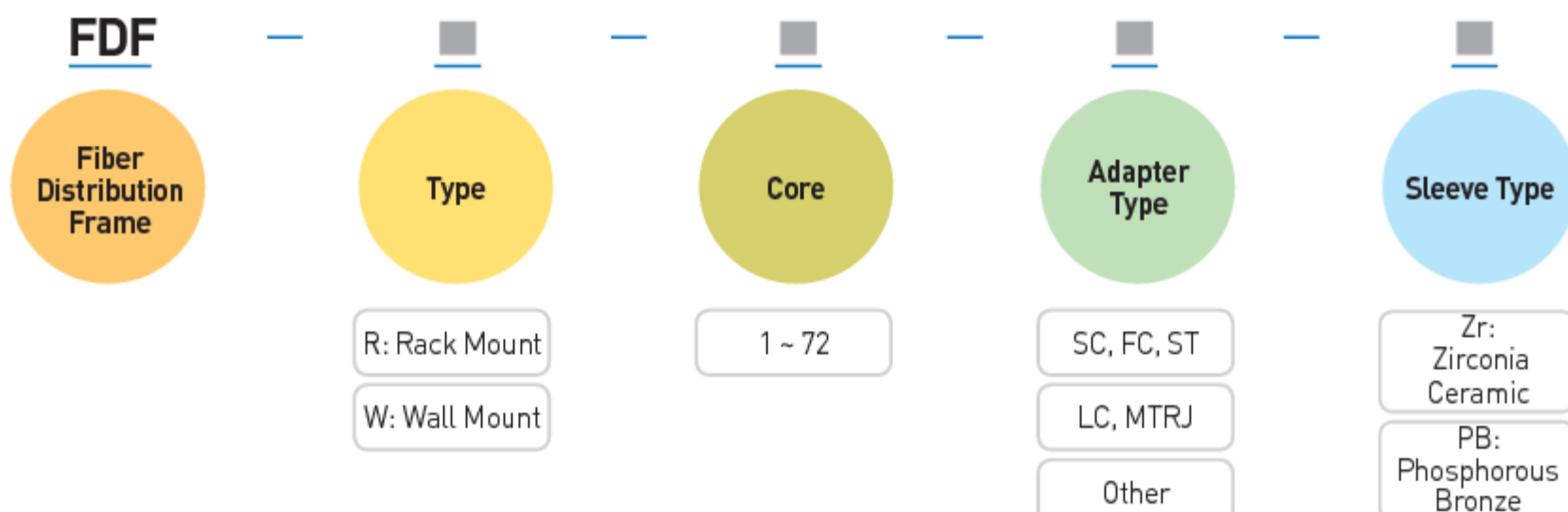
- Low excess loss & high performance
- Retractable splicing tray
- Convenience and ease of handling
- Indoor use, outdoor use customizable

Specification

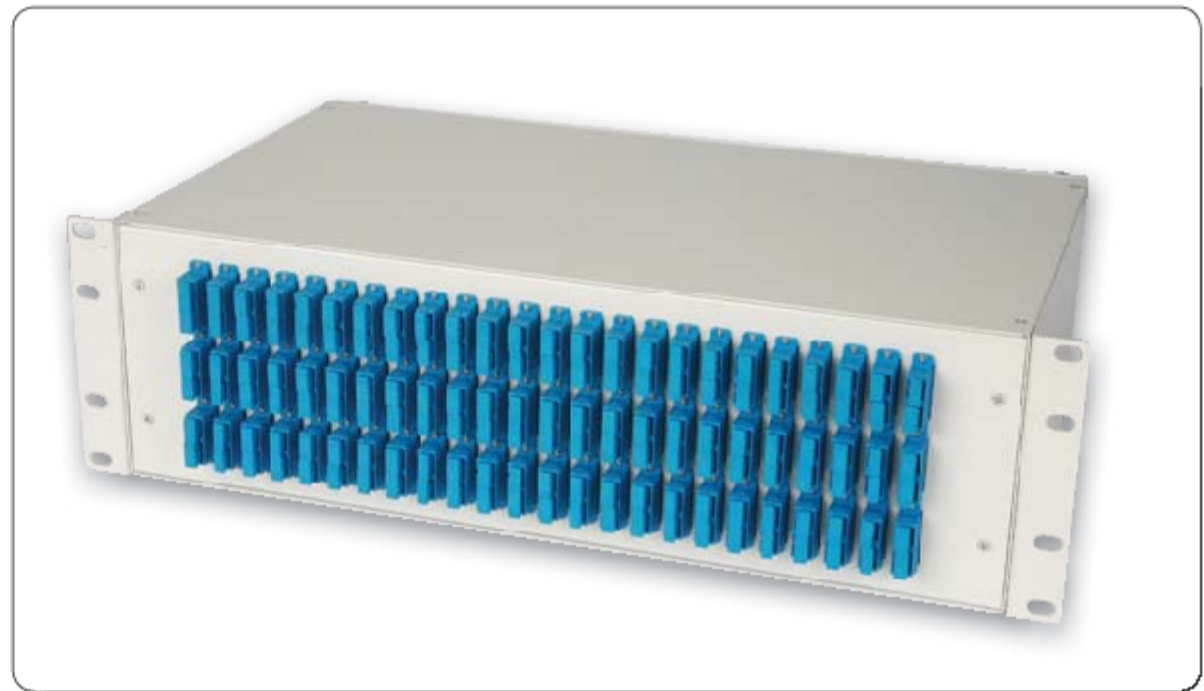
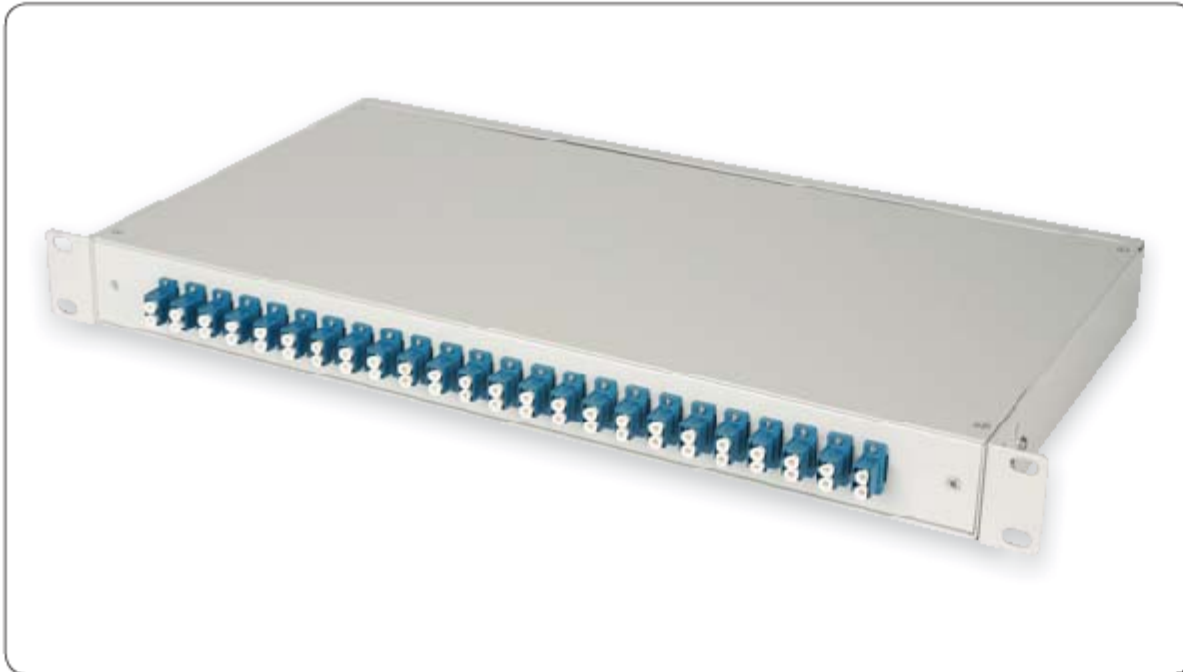
| Parameter | | Unit | FDF-1U | FDF-2U | FDF-3U | FDF-WALL |
|----------------|--------|------|------------|------------|------------|--------------|
| Fiber Capacity | | Core | ≤24 | ≤48 | ≤72 | ≤24 [max 72] |
| Number of Tray | | PCS | 1 | 2 | 4 | 2 |
| Dimension | Height | | 1U | 2U | 3U | 305 mm |
| | Width | mm | 482 | 482 | 482 | 305 |
| | Depth | mm | 305 | 305 | 305 | 95 |
| Remark | | | Rack Mount | Rack Mount | Rack Mount | Wall Mount |

[1U=44.45mm]

Ordering Information



● MTP / MPO Distribution



▶▶ Applications

- High density interconnection
- High precision guide pins for fiber alignment
- Gigabit Ethernet
- Premise installations
- Data processing networks
- Telecommunication networks

▶▶ Features & Benefits

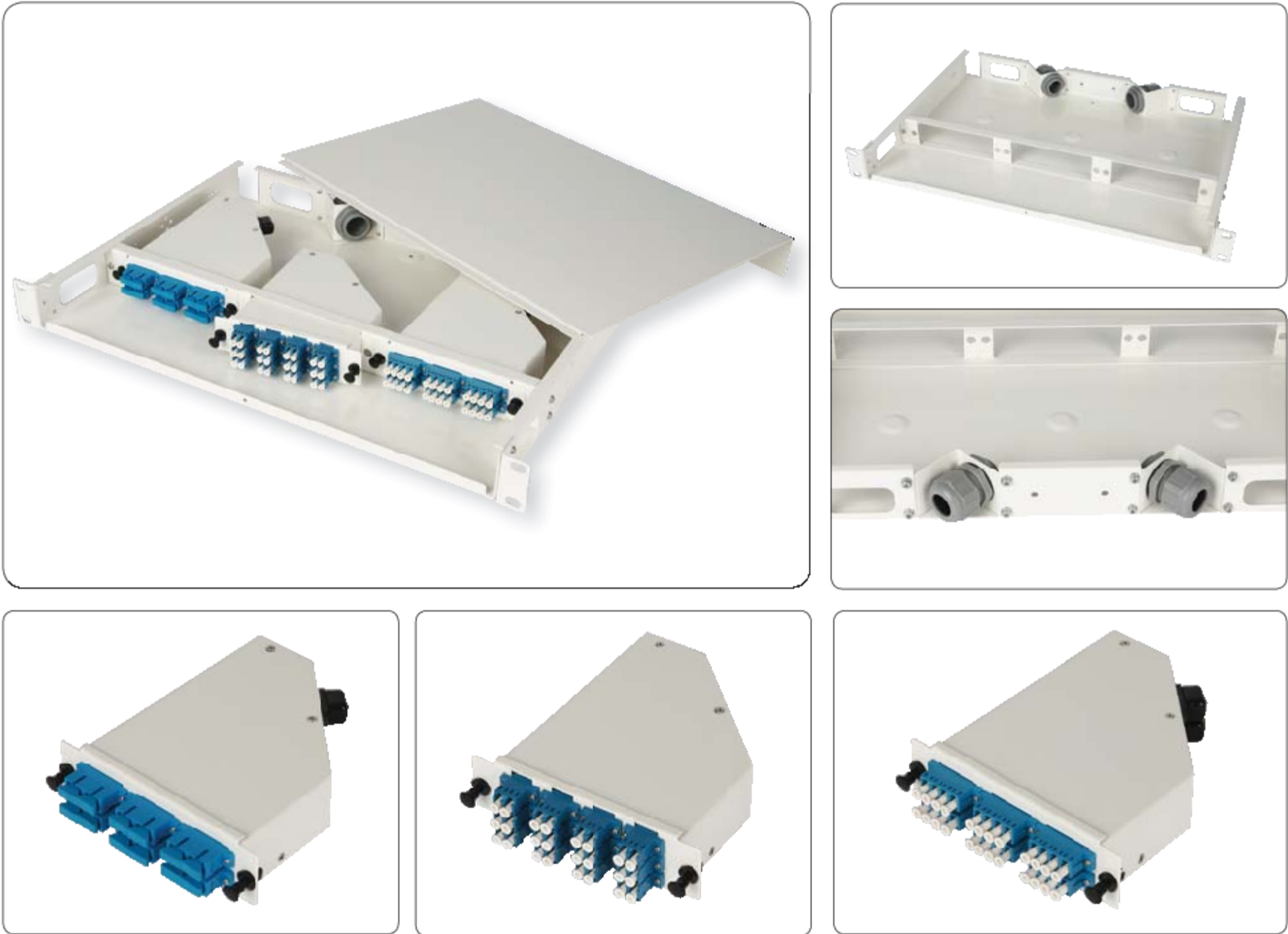
- Low excess loss & high performance
- Convenience and ease of handling
- MTP Harnesses give plug and play capability
- Flush mounts on standard 19" rack and cabinets
- High efficiency for space and installation

Specification

[1U=44.45mm]

| Parameter | | | FDF | | | | | | Cassette | |
|----------------|--------|----|------------|-----|------|----------|------|------|----------|----------|
| Adaptor Type | | | SC(DP) | | | LC(QUAD) | | | SC(DP) | LC(QUAD) |
| Fiber Capacity | Core | | 48C | 72C | 144C | 96C | 144C | 288C | 36C | 96C |
| Dimension | Height | U | 1U | 2U | 3U | 1U | 2U | 3U | 1U | 1U |
| | Width | mm | 482 | 482 | 482 | 482 | 482 | 482 | 482 | 482 |
| | Depth | mm | 305 | 305 | 305 | 305 | 305 | 305 | 305 | 305 |
| Remark | | | Rack Mount | | | | | | | |

MTP / MPO Distribution



Ordering Information

| Optical MTP / MPO Distribution | Fiber Type [μm] | Fiber Count | Panel Type | Front Connector Type | Polishing Type | Rear Connector Type |
|--------------------------------|-------------------|-------------|------------|----------------------|----------------|---------------------|
| OMD | G.652 [9/125] | 12C | FDF | SC | PC | MPO / PC [Male] |
| | G.657 [9/125] | 24C | Cassette | LC | APC | MPO / PC [Female] |
| | OM1 [62.5/125] | 48C | Other | Other | | MPO / APC [Male] |
| | OM2 [50/125] | 72C | | | | MPO / APC [Female] |
| | OM3, OM4 [50/125] | Other | | | | |

Optical Splice Closure (Line Type FOSC-F)



Applications

- Telecommunication networks
- Local Area Networks
- Data system networks
- CATV networks
- Active device termination

Features & Benefits

- Reliable moisture-tight housing with hot-melt type sealing
- Ribbed body structure protects against impact and compression
- Efficient fiber management by splice tray holding structure
- Ease of use for closure assembly
- Easy clamping of tension member and grounding
- Easy installation without bolt
- Aerial and underground use

Specification

| Parameter | Value |
|-------------------|---|
| Size [mm] | 391 x 242 x 140 |
| Weight [Kg] | 3.0 |
| Inlet Port | 6 |
| Cable [mm] | ∅ 6 ~ ∅ 24 |
| No. of Trays | 3 |
| Tray Capacity | 24C [Max. 48C] |
| Splicing Capacity | 72C [Max. 144C] |
| Splicing Method | Fusion, Connector, Splitter |
| Splice Protector | Heat shrinkable sleeve, Mechanical splice |
| Tension Member | Galvanized steel wire, FRP wire |

Test Certification

| Parameter | Test Condition | Requirement |
|--------------------------|--|---|
| Water resistance | <ul style="list-style-type: none"> • Put the closure into a 20ft depth-water tank for 7days | No evidence of water intrusion. Compliance with IP68 in accordance with Telcordia International standard |
| Temperature and Humidity | <ul style="list-style-type: none"> • Temp. cycle -40~65°C, RH 95% • 120Cycle (1cycle is 6 hours) | No mechanical impairment |
| UV Resistance | <ul style="list-style-type: none"> • Prepare 10 test bar • Expose UV lamp: 8 hours 65°C | No reduction tensile strength Greater than 20% |
| Chemical resistance | <ul style="list-style-type: none"> • Inner pressure: 6PSI • solution : pH2 HCL, NaOH, 10% IGEPAL • Submerge for 120hours into the solution. | No mechanical corrosion |

Optical Splice Closure (Dome Type)



(FOSC-A)



(FOSC-V)

| Parameter | value | |
|-------------------|---|---|
| | FOSC-A | FOSC-V |
| Size[mm] | 530 x 160 x 180 | 577 x 211 x 174 |
| Weight [Kg] | 4.0 | 2.5 |
| Inlet Port | 8 [Oval.1] | 6 [Oval.2] |
| Cable Dia. [mm] | Ø 4 ~ Ø 10 | Ø 8 ~ Ø 24 |
| No. of Tray | 4 | 4 |
| Tray Capacity | 24C [Max. 48C] | 24C [Max. 48C] |
| Splicing Capacity | 96C [Max. 192C] | 96C [Max. 192C] |
| Splicing Method | Fusion, Mechanical | Fusion, Mechanical |
| Splice Protector | Heat Shrinkable Sleeve, Mechanical Splice | Heat Shrinkable Sleeve, Mechanical Splice |
| Tension Member | Galvanized Steelwire, FRPwire | Galvanized Steel wire, FRPwire |

Ordering Information

FOSC

- Fiber Optical Splice Closure**
- Closure Type**
 - F : LINE
 - A : DOME
 - V : DOME
- Size**
 - S: Small
 - M: Middle
 - L: Large
- Fiber**
 - L: Loose Tube Fiber
 - R: Ribbon Fiber
 - S: Splitter
- Fiber Count**
 - 12 ~288

◉ Distribution Tap - A - 24C (Outdoor)



▶ Applications

- Telecommunication networks
- Local Area Networks
- FTTH
- CATV networks
- Active device termination

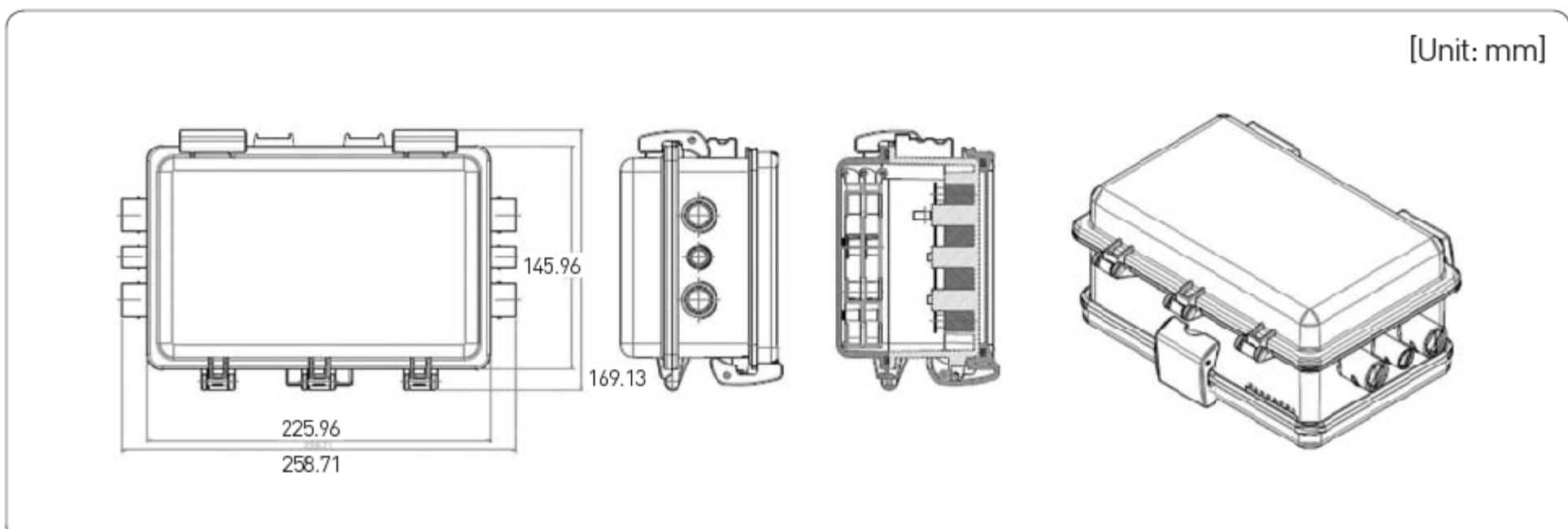
▶ Features & Benefits

- Low excess loss & high performance
- Retractable splicing trays
- Convenience and ease of handling
- Similar to the closure, but can distribute through patch cords

Specification

| Parameter | Value |
|-------------------------------------|--|
| Size [mm] | 260 x 146 x 103 |
| Weight [Kg] | 1.0 |
| Inlet Port [Indoor / Outdoor cable] | 6 / 8 |
| Cable [mm] | ∅8 ~ ∅16 |
| No. of Trays | 2 |
| Tray Capacity | 24C [Max. 48C] |
| Splicing Capacity | 48C [Max. 96C] |
| Splicing Method | Fusion, Mechanical |
| Splice Protector | Heat shrinkable sleeve, Mechanical splice, Connector |
| Tension Member | Galvanized steel wire, FRP wire |

Dimensions



● Distribution Tap - B - 24C (Outdoor)



▶ Applications

- Telecommunication networks
- Local Area Networks
- FTTH
- CATV networks
- Active device termination

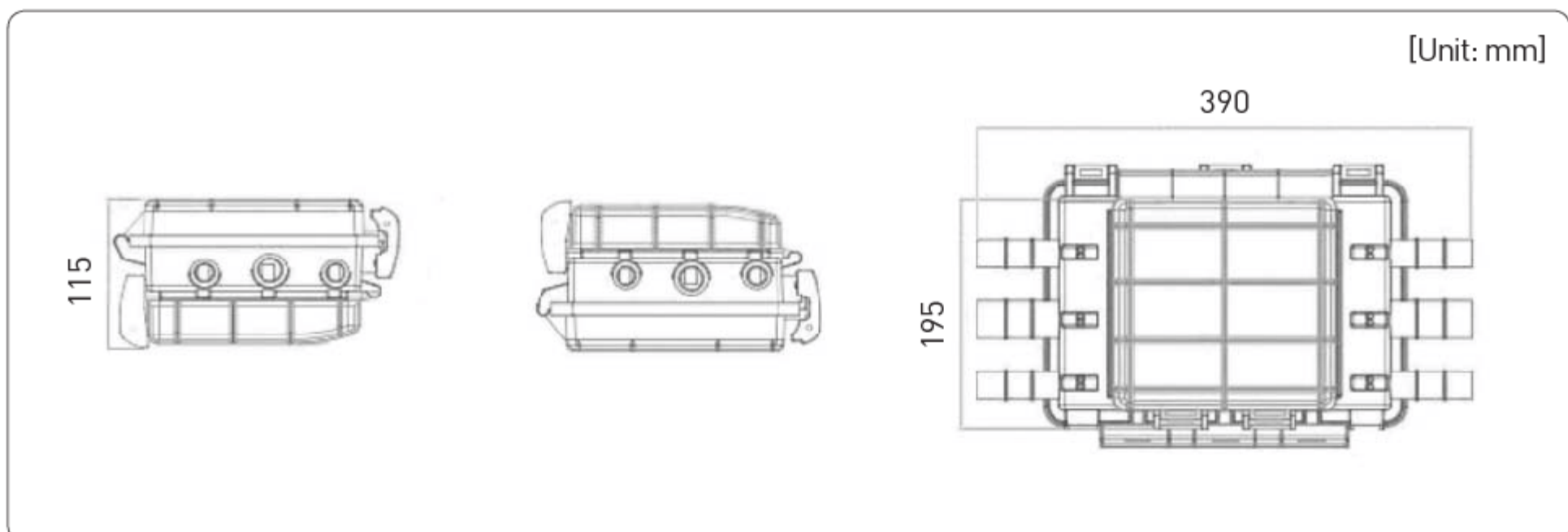
▶ Features & Benefits

- Low excess loss & high performance
- Retractable splicing tray
- Convenience and ease of handling
- Similar to the closure, but can distribute through patch cords

Specification

| Parameter | Value |
|-------------------------------------|--|
| Size [mm] | 390 x 195 x 115 |
| Weight [Kg] | 1.0 |
| Inlet Port [Indoor / Outdoor cable] | 6 / 8 |
| Cable [mm] | ∅8 ~ ∅16 |
| No. of Trays | 2 |
| Tray Capacity | 24C [Max. 48C] |
| Splicing Capacity | 48C [Max. 96C] |
| Splicing Method | Fusion, Mechanical |
| Splice Protector | Heat shrinkable sleeve, Mechanical splice, Connector |
| Tension Member | Galvanized steel wire, FRP wire |

Dimensions



◉ Distribution Tap (Wall Type) - 8C (Outdoor)



► Applications

- Telecommunication networks
- Local Area Networks
- FTTH
- CATV networks
- Active device termination

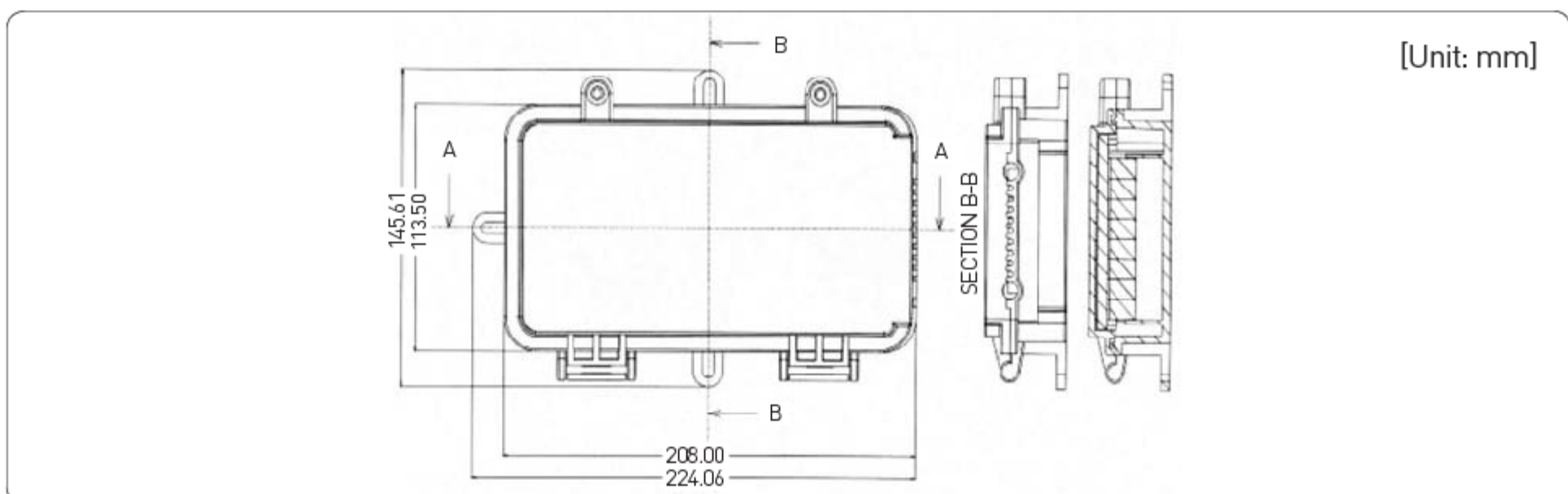
► Features & Benefits

- Low excess loss & high performance
- Retractable splicing trays
- Convenience and ease of handling
- Similar to the closure, but can distribute through patch cords

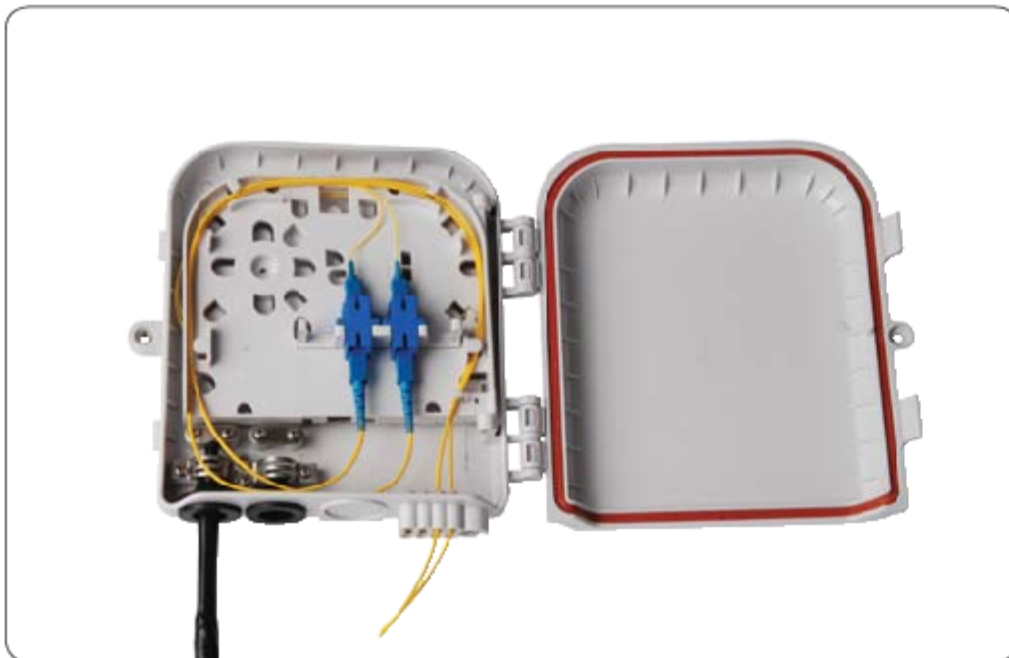
Specification

| Parameter | Value |
|-------------------------------------|--|
| Size [mm] | 230 x 145 x 50 |
| Weight [Kg] | 1.0 |
| Inlet Port [Indoor / Outdoor cable] | 2 / 8 |
| Cable [mm] | ∅8 ~ ∅12 |
| Splicing Capacity | 8C |
| Splicing Method | Fusion, Mechanical |
| Splice Protector | Heat shrinkable sleeve, Mechanical splice, Connector |
| Tension Member | Galvanized steel wire, FRP wire |

Dimensions



Termination Box-OTP



OTP 8 CORE



OTP 16 CORE

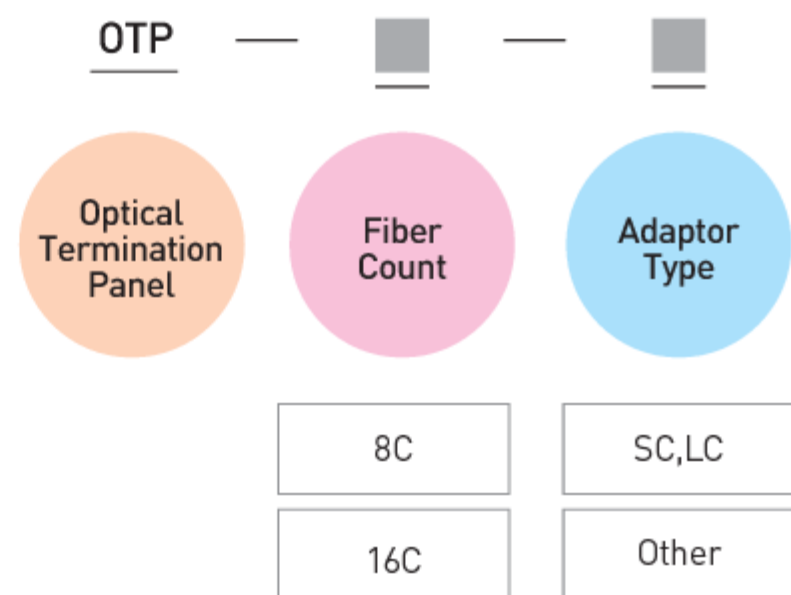
Applications

- Telecommunication networks
- Local Area networks
- FTTH
- CATV networks
- Active device termination

Features & Benefits

- Low excess loss & high performance
- Retractable splicing trays
- Convenience and ease of handling
- Similar to the closure, but can distribute through patch cords

Ordering Information



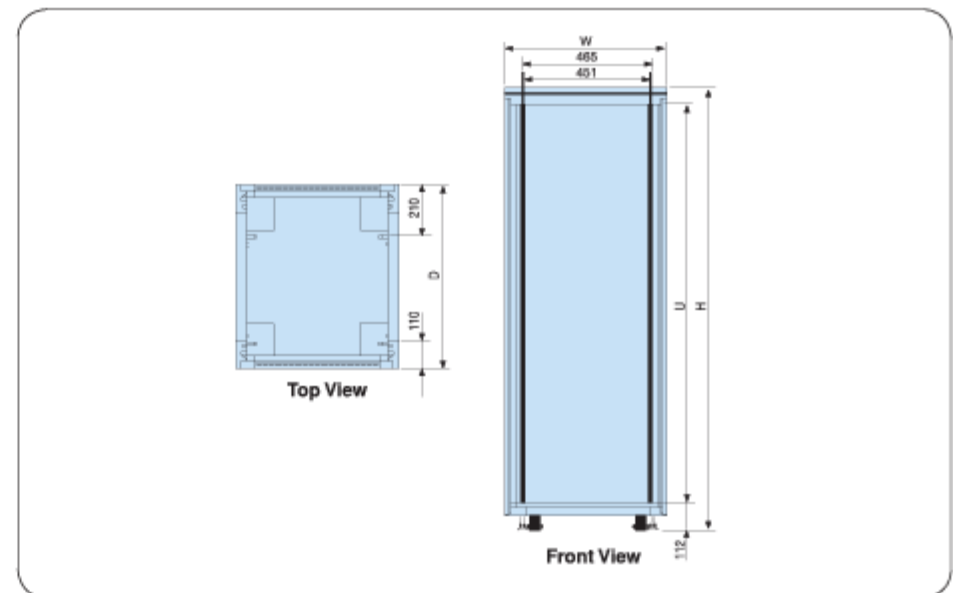
Specification

| Parameter | OTP-8 | OTP-16 |
|--------------------|--------------------------|----------------------|
| Size[mm] | 197 x 214 x 53 | 220 x 300 x 80 |
| Weight [Kg] | 0.8 | 1.3 |
| Inlet Port | 2/8 | 2/16 |
| Cable[mm] | Ø 8 ~ Ø 12 | Ø 8 ~ Ø 12 |
| Splicing Capacity | 8c | 16c |
| Splitter available | 1*4/1*8/2*4/2*8 | 1*4/1*8/2*4/2*8/2*16 |
| Mounting type | Wall mount or Pole mount | |

◉ Rack System (Indoor)



[Unit: mm]



► Applications

- HDTV
- CATV networks
- Data system networks
- Telecommunication network
- Local area network

► Features & Benefits

- Simple structure
- Strong and light weight
- Wide maintenance space
- Designed fitted with international standard (IEC 297-1.2.3)
- Material of front door is iron sheet, aluminium, tempered glass or etc

Specification

[1U=44.45mm]

| Model | Height [mm] | Width | Depth [mm] |
|-------------|---------------|---|--------------|
| FOSTEC-2200 | 2,200 / 45(U) | 600mm / 19" 650mm / 21" 700mm / 23" | 750/900/1000 |
| FOSTEC-2000 | 2,000 / 41(U) | | |
| FOSTEC-1800 | 1,800 / 36(U) | | |
| FOSTEC-1600 | 1,600 / 31(U) | | |
| FOSTEC-1400 | 1,400 / 27(U) | | |
| FOSTEC-1200 | 1,200 / 22(U) | | |
| FOSTEC-1000 | 1,000 / 18(U) | | |
| FOSTEC-750 | 750 / 12(U) | | |
| FOSTEC-500 | 500 / 10(U) | 550mm | 500 |

◉ Rack System (Outdoor)



▶ Applications

- HDTV
- CATV networks
- Data system networks
- Telecommunication network
- Local area network

▶ Features & Benefits

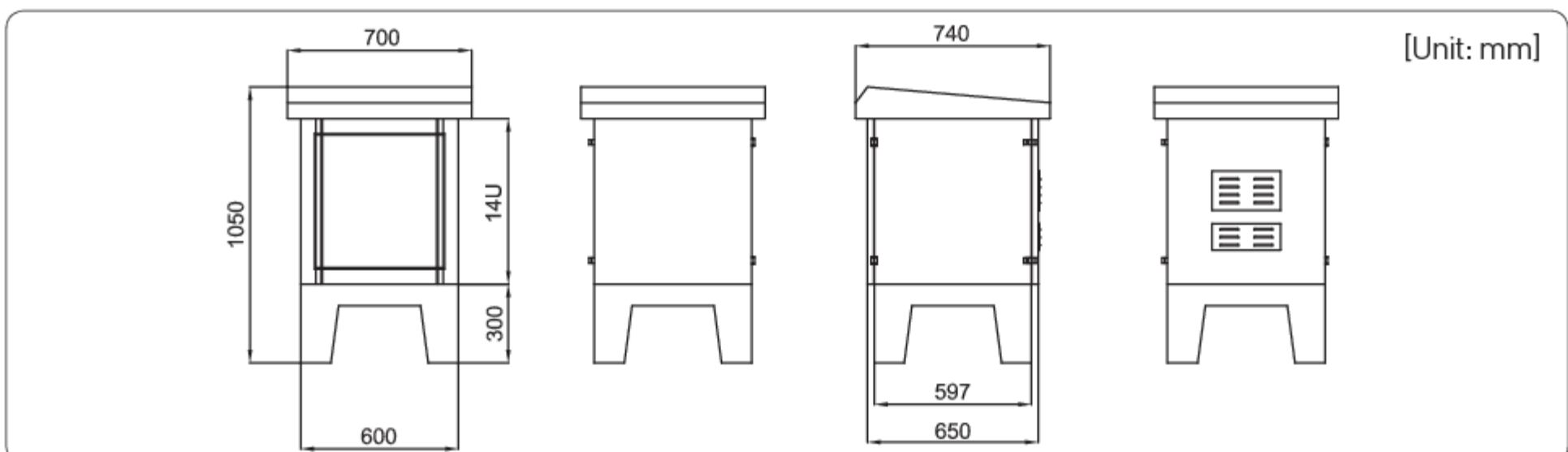
- Simple structure strong and light weight
- Protects the inside from the dust, temperature and humidity.
- Convenient in local environment

Specification

[1U=44.45mm]

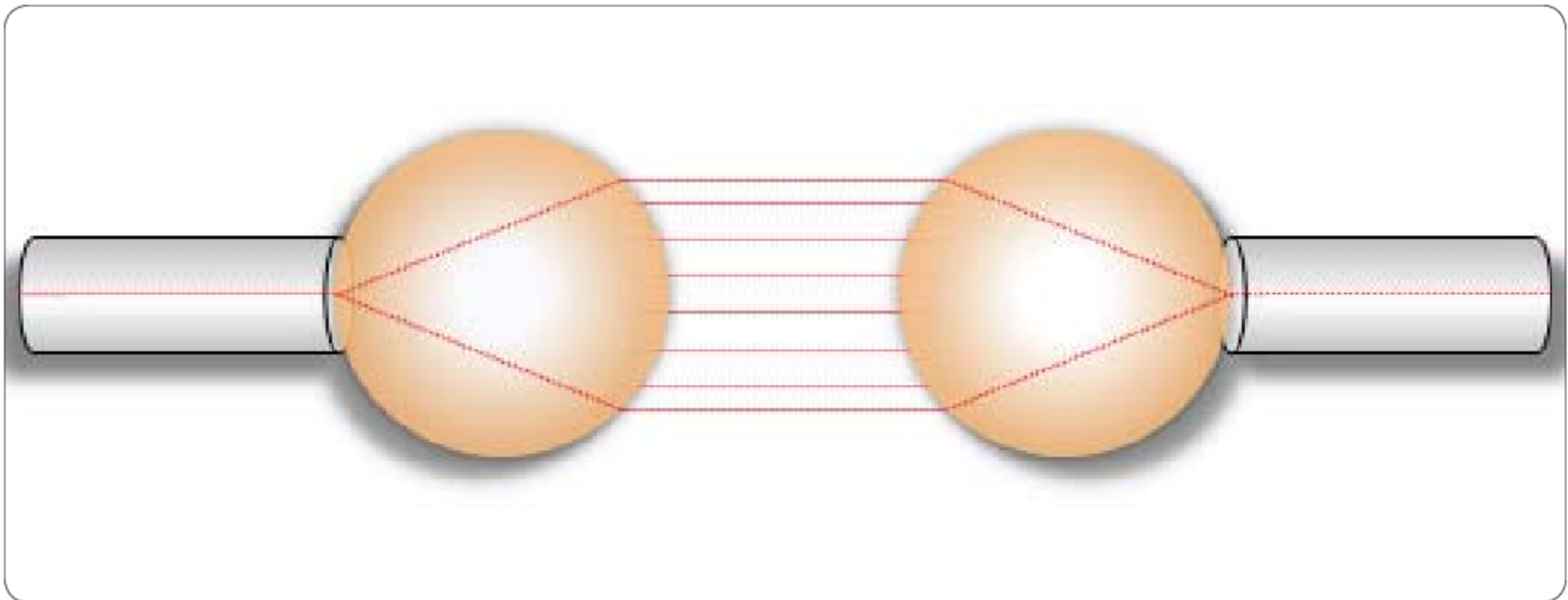
| Model | Standard Height [mm] | Width [mm] | Depth [mm] | Remark |
|----------|----------------------|------------|------------|------------------------|
| TEC-1800 | 1800 | 770 | 840 | 35U 19" - Width 600 |
| TEC-1600 | 1600 | 600 | 640 | 23U |
| TEC-1200 | 1200 | 600 | 640 | 14U |

Dimensions

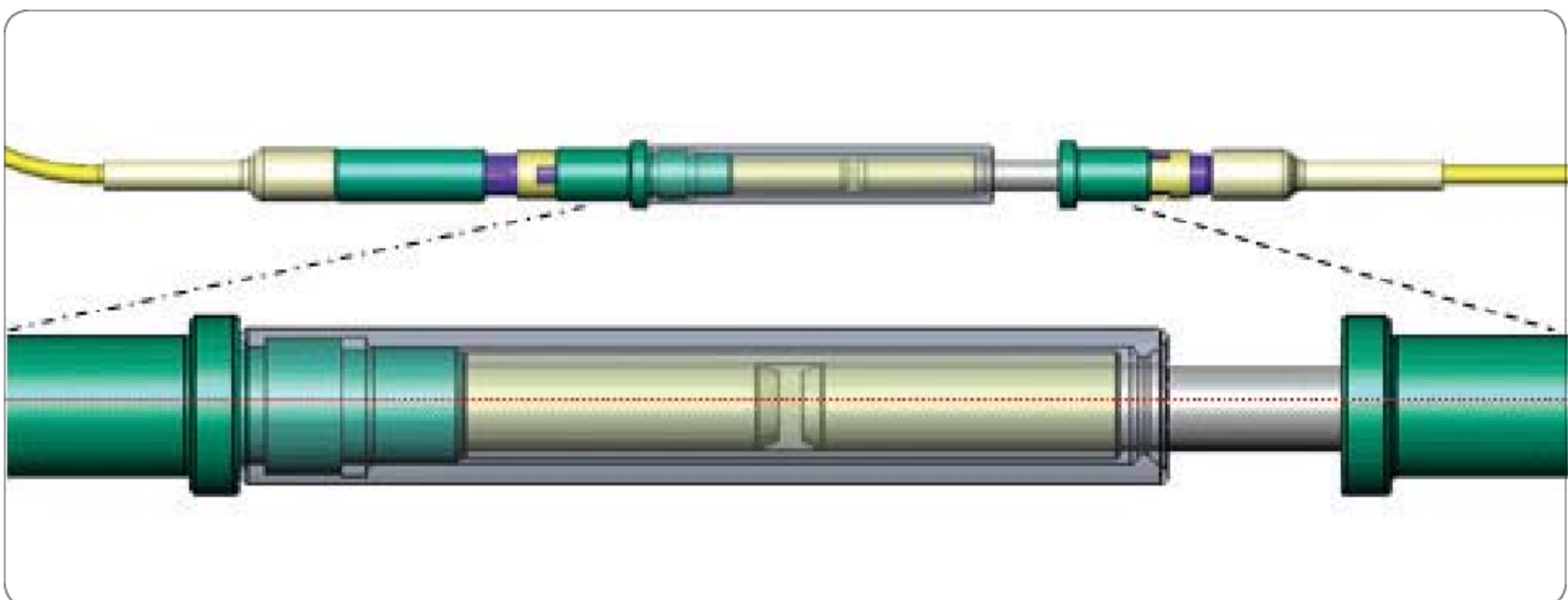


◉ FOBEX Expanded Beam

▶▶ BALL LENS TYPE



▶▶ PIN CONTACT TYPE



▶▶ Features & Benefits

- Fiber optic connectors and cable assemblies for use in the most demanding harsh environment applications
- Advanced Expanded Beam technology
- Hermaphroditic connector design
- Multimode and Single mode versions

▶▶ Applications

- Navy shipboard
- Surface craft and submarines
- Mission combat communications systems
- Mobile tactical shelters networks
- Mobile Emergency Telecommunications (MET)
- Deployable outdoors in harsh environments



Expanded Beam Connector



Expanded Pin Contact Connector



Patch Cord (Junior Type)



Patch Cord (MIL-38999 Type)



Reel Type



Reel Type (Back Pack Type)

FOBEX Expanded Beam 38999 Connector



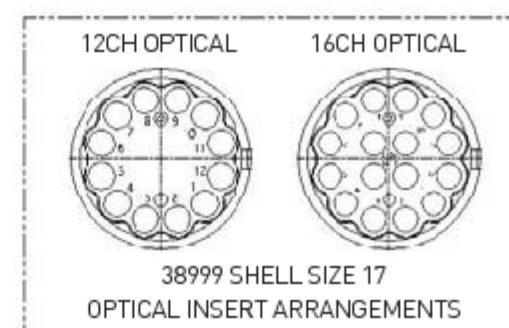
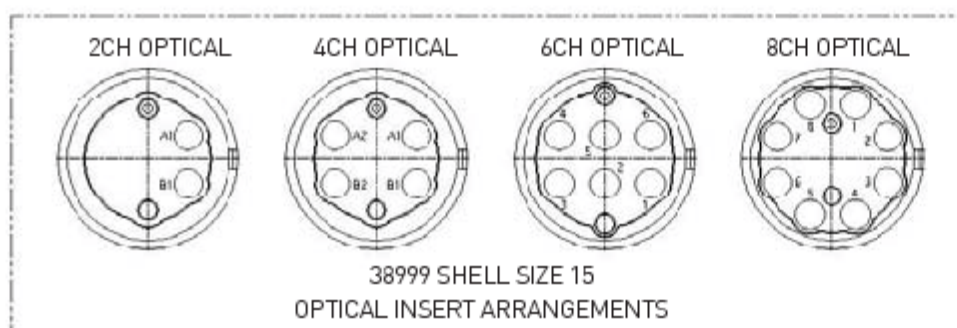
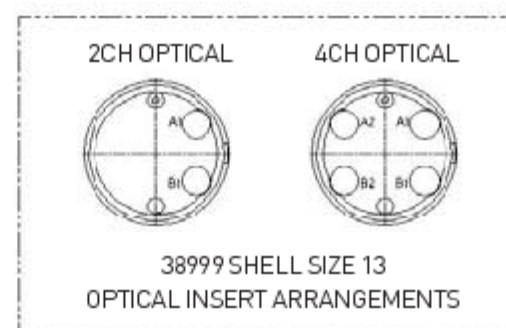
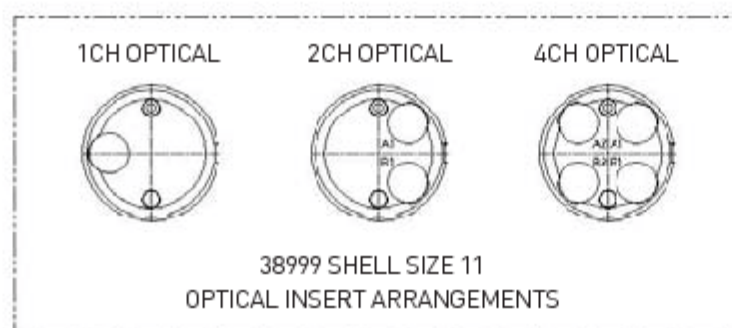
38999 Expanded Beam Plug



Expanded Beam Receptacle



Plug, Receptacle Combination



Specification

| | | | | | | |
|-----------------------------------|---|------------|-----------------|-------------|-------------------------|---------|
| Insertion Loss | 9/125 Fibre at 1310nm / 1550nm : -1.5dB maximum (typical -1.0dB) 50/125 Fibre at 850nm / 1300nm : -1.0dB maximum (typical -0.7dB) | | | | | |
| Return Loss | > -32dB (typical -40dB) | | | | | |
| Durability | 1000 Matings minimum | | | | | |
| Operating Temperature | -40°C to +85°C | | | | | |
| Storage Temperature | -55°C to +85°C | | | | | |
| Water Immersion | IP68 | | | | | |
| Free Fall Resistance | 500 Falls from 1.2m height | | | | | |
| Vibration | 10-500Hz, 3 directions, 0.75mm amplitude @ 10g acceleration | | | | | |
| Bump | 4000 bumps @ 40g acceleration | | | | | |
| Corrosion Resistance | 500 Hours Salt Spray | | | | | |
| Cable Retention | 1000N (Cable Dependant) | | | | | |
| Weight (approx) | Aluminium | | Stainless Steel | | Nickel Aluminium Bronze | |
| | Size 11 | Size 15 | Size 11 | Size 15 | Size 11 | Size 15 |
| | Plug : | 50g 90g | 95g 170g | 95g 170g | | |
| | Bulkhead: | 45g 85g | 85g 155g | 85g 155g | | |
| Connector Shell Material / Colour | Aluminium Alloy (Zinc Cobalt, Olive Drab), Aluminium Alloy (electroless Nickel plated), Nickel Aluminium Bronze (shot blast, non-reflective) or Stainless Steel (passivated). | | | | | |

▶▶ Ordering Information

FOBEX 38 —



| | | | | | | | | | | |
|--|-----|---|---|---|---|----|---|----|---|-----|
| | 311 | P | A | 4 | 0 | 09 | B | MT | A | 250 |
| <p>END A - Connector Family 311 - 38999 Shell size 11 313 - 38999 Shell size 13 315 - 38999 Shell size 15 317 - 38999 Shell size 17</p> | | | | | | | | | | |
| <p>END A - Connector Type P - Plug (straight backshell) P90 - Plug (90 degree backshell) BS - Bulkhead SQ-Flange Mount (straight backshell) BSL - Bulkhead SQ-Flange Mount Low Profile BS90 - Bulkhead SQ-Flange Mount (90 degree backshell) BD - Bulkhead D-Hole Mount (straight backshell) BDL - Bulkhead D-Hole Mount Low Profile BD90 - Bulkhead D-Hole Mount (90 degree backshell)</p> | | | | | | | | | | |
| <p>END A - Connector Shell Material A - Aluminium, Zinc Cobalt, Olive Drab A-BK - Aluminium, Zinc Cobalt, Black S - Stainless Steel, Passivated N - NAB, Non-Reflective Shot Blast</p> | | | | | | | | | | |
| <p>Number of Fibres 1 - 1 Optical Channel (Shell size 11, 13, 15) 2 - 2 Optical Channels (Shell size 11, 13, 15) 4 - 4 Optical Channels (Shell size 11, 13, 15) 6 - 6 Optical Channels (Shell size 15) 8 - 8 Optical Channels (Shell size 15) 12 - 12 Optical Channels (Shell size 17) 16 - 16 Optical Channels (Shell size 17)</p> | | | | | | | | | | |
| <p>Number of Electrical Contacts 0 - No Electrical Contacts 1 - 1 Electrical Contacts 2 - 2 Electrical Contacts 4 - 4 Electrical Contacts</p> | | | | | | | | | | |
| <p>Fibre Type 09 - 9/125 50 - 50/125 62 - 62.5/125 OM3 - 50/125 OM3</p> | | | | | | | | | | |
| <p>Wavelength of Operation A - 850/1300nm B - 1310/1550nm C - 1310nm ONLY D - 1550nm ONLY</p> | | | | | | | | | | |
| <p>Cable Type MT - MIL-TAC SZ - Standard Zipcord (2x2.8) (up to 4CH) MZ - Mini Zipcord (2x1.8) (6CH, 8CH, 12CH, 16CH)</p> | | | | | | | | | | |
| <p>END B - Connector Type A - Same as End A SC - SC Type Connector ST - ST Type Connector LC - LC Type Connector FC - FC Type Connector</p> | | | | | | | | | | |
| <p>Length (metres) Example: 250=250m / 2M5=2.5m</p> | | | | | | | | | | |

FOBEX Optical/Electrical Hybrid Connector



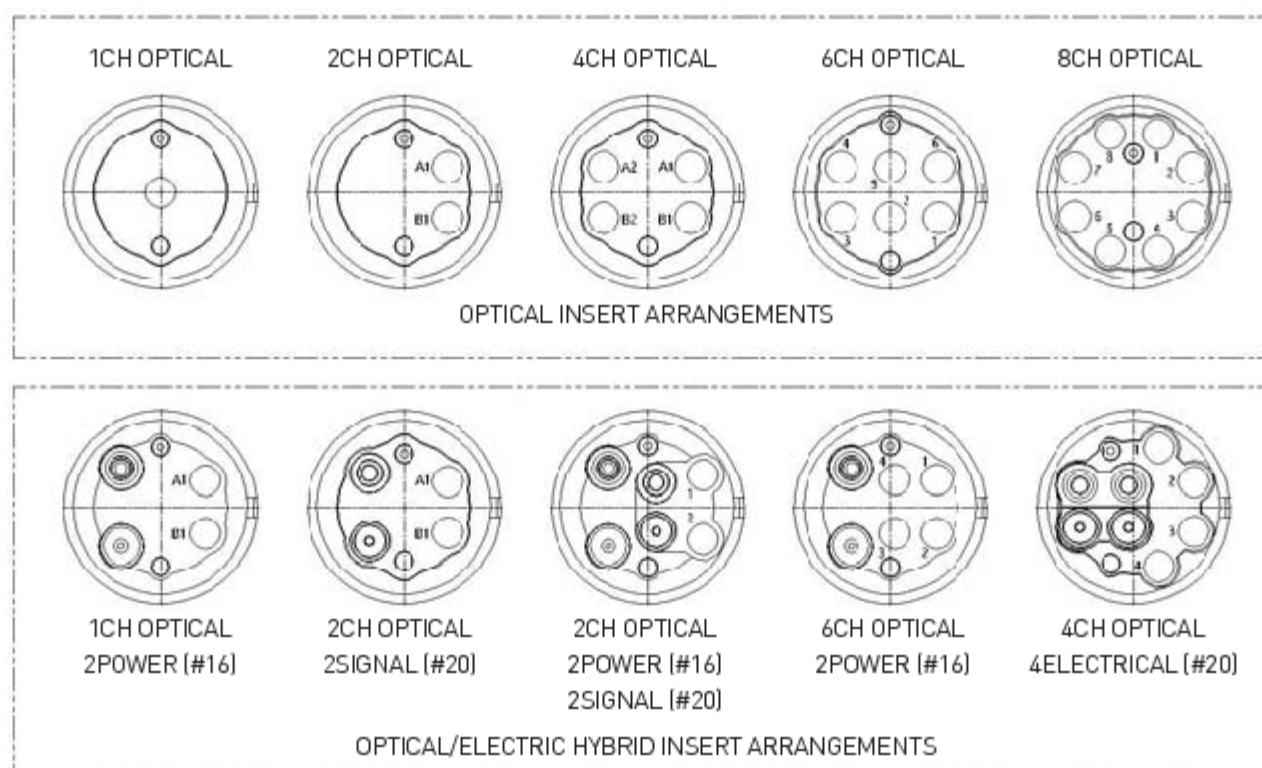
38999 Expanded Beam Hybrid Plug



38999 Expanded Beam Hybrid Receptacle



Plug, Receptacle Combination



Specification

| | | | | | | |
|-----------------------------------|---|---------|-----------------|----------|-------------------------|----------|
| Insertion Loss | 9/125 Fibre at 1310nm / 1550nm : -1.5dB maximum (typical -1.0dB) 50/125 Fibre at 850nm / 1300nm : -1.0dB maximum (typical -0.7dB) | | | | | |
| Return Loss | > -32dB (typical -40dB) | | | | | |
| Electrical:Power Contacts | Size 20 & Size 16MIL-C-39029. Contact Resistance <4mΩ. Operating voltage 1000V AC. Operating current 5A (short term 15A) | | | | | |
| Durability | 1000 Matings minimum | | | | | |
| Operating Temperature | -40°C to +85°C | | | | | |
| Storage Temperature | -55°C to +85°C | | | | | |
| Water Immersion | IP68 | | | | | |
| Free Fall Resistance | 500 Falls from 1.2m height | | | | | |
| Vibration | 10-500Hz, 3 directions, 0.75mm amplitude @ 10g acceleration | | | | | |
| Bump | 4000 bumps @ 40g acceleration | | | | | |
| Corrosion Resistance | 500 Hours Salt Spray | | | | | |
| Cable Retention | 1000N (Cable Dependant) | | | | | |
| Weight (approx) | Aluminium | | Stainless Steel | | Nickel Aluminium Bronze | |
| | Size 11 | Size 15 | Size 11 | Size 15 | Size 11 | Size 15 |
| | Plug : | 50g 90g | 95g 170g | 95g 170g | 95g 170g | 95g 170g |
| | Bulkhead: | 45g 85g | 85g 155g | 85g 155g | 85g 155g | 85g 155g |
| Connector Shell Material / Colour | Aluminium Alloy (Zinc Cobalt, Olive Drab), Aluminium Alloy (electroless Nickel plated), Nickel Aluminium Bronze (shot blast, non-reflective) or Stainless Steel (passivated). | | | | | |

►► Ordering Information

FOBEX HY —



| | | | | | | | | | | |
|---|-----|---|---|---|---|----|---|----|---|-----|
| | 311 | P | A | 4 | 0 | 09 | B | MT | A | 250 |
| END A - Connector Family 311 - 38999 Shell size 11 313 - 38999 Shell size 13 315 - 38999 Shell size 15 317 - 38999 Shell size 17 | | | | | | | | | | |
| END A - Connector Type P - Plug (straight backshell) P90 - Plug (90 degree backshell) BS - Bulkhead SQ-Flange Mount (straight backshell) BSL - Bulkhead SQ-Flange Mount Low Profile BS90 - Bulkhead SQ-Flange Mount (90 degree backshell) BD - Bulkhead D-Hole Mount (straight backshell) BDL - Bulkhead D-Hole Mount Low Profile BD90 - Bulkhead D-Hole Mount (90 degree backshell) | | | | | | | | | | |
| END A - Connector Shell Material A - Aluminium, Zinc Cobalt, Olive Drab A-BK - Aluminium, Zinc Cobalt, Black S - Stainless Steel, Passivated N - NAB, Non-Reflective Shot Blast | | | | | | | | | | |
| Number of Fibres 1 - 1 Optical Channel (Shell size 11, 13, 15) 2 - 2 Optical Channels (Shell size 11, 13, 15) 4 - 4 Optical Channels (Shell size 11, 13, 15) 6 - 6 Optical Channels (Shell size 15) 8 - 8 Optical Channels (Shell size 15) 12 - 12 Optical Channels (Shell size 17) 16 - 16 Optical Channels (Shell size 17) | | | | | | | | | | |
| Number of Electrical Contacts 0 - No Electrical Contacts 1 - 1 Electrical Contacts 2 - 2 Electrical Contacts 4 - 4 Electrical Contacts | | | | | | | | | | |
| Fibre Type 09 - 9/125 50 - 50/125 62 - 62.5/125 OM3 - 50/125 OM3 | | | | | | | | | | |
| Wavelength of Operation A - 850/1300nm B - 1310/1550nm C - 1310nm ONLY D - 1550nm ONLY | | | | | | | | | | |
| Cable Type MT - MIL-TAC SZ - Standard Zipcord (2x2.8) (up to 4CH) MZ - Mini Zipcord (2x1.8) (6CH, 8CH, 12CH, 16CH) | | | | | | | | | | |
| END B - Connector Type A - Same as End A SC - SC Type Connector ST - ST Type Connector LC - LC Type Connector FC - FC Type Connector | | | | | | | | | | |
| Length (metres) Example: 250=250m / 2M5=2.5m | | | | | | | | | | |

FOBEX Expanded Beam Connector



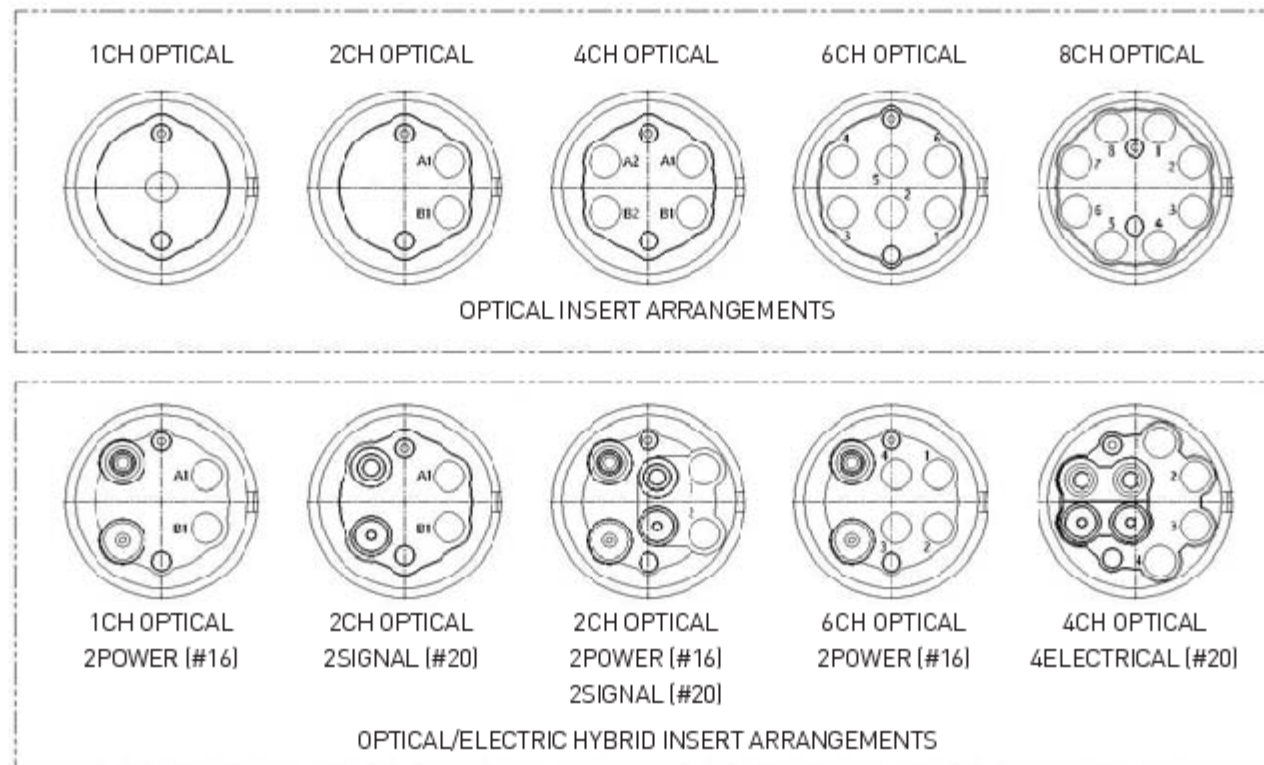
Expanded Senior



Expanded Junior



Expanded Mini



Specification

| | | | |
|-----------------------------------|--|-----------------|-------------------------|
| Insertion Loss | 9/125 Fibre at 1310nm / 1550nm : -1.5dB maximum (typical -1.0dB) 50/125 Fibre at 850nm / 1300nm : -1.0dB maximum (typical -0.7dB) | | |
| Return Loss | > -32dB (typical -40dB) | | |
| Electrical:Power Contacts | Size 20 & Size 16MIL-C-39029. Contact Resistance <4mΩ. Operating voltage 1000V AC. Operating current 5A (short term 15A) | | |
| Electrical:Test Voltage | Between contacts and contact / housing : 3000V / 50Hz, 1 minute EN61984 | | |
| Durability | 3000 Matings minimum | | |
| Operating Temperature | -40°C to +85°C | | |
| Storage Temperature | -55°C to +85°C | | |
| Water Immersion | 15m | | |
| Free Fall Resistance | 500 Falls from 1.2m height | | |
| Vibration | 10-500Hz, 3 directions, 0.75mm amplitude @ 10g acceleration | | |
| Bump | 4000 bumps @ 40g acceleration | | |
| Crush Resistance | 6.7kN | | |
| Corrosion Resistance | 500 Hours Salt Spray | | |
| Cable Retention | 1500N (Cable Dependant) | | |
| Weight (approx) | Aluminium | Stainless Steel | Nickel Aluminium Bronze |
| | Plug : 160g | 300g | 285g |
| | Bulkhead: 150g | 255g | 240g |
| Connector Shell Material / Colour | Black anodised Aluminium, Nickel Aluminium Bronze or Stainless Steel. Grip & boot : Black or Olive Green | | |

▶▶ Ordering Information

FOBEX EB —



S

P

A

4

0

MT

END A - Connector Family

S - Senior
J - Junior
M - Mini

END A - Connector Type

P - Plug
BD - Bulkhead D-Hole Mount
BS - Bulkhead SQ-Flange Mount

END A - Connector Shell Material

A - Aluminium Hard Anodise
S - Stainless Steel
N - Nickel Aluminium Bronze

Number of Fibres

1 - 1 Optical Channel
2 - 2 Optical Channels
4 - 4 Optical Channels
6 - 6 Optical Channels
8 - 8 Optical Channels

Number of Electrical Contacts

0 - No Electrical Contacts
1 - 1 Electrical Contacts
2 - 2 Electrical Contacts
4 - 4 Electrical Contacts

Cable Type

MT - MIL-TAC
SZ - Standard Zipcord (2x2.8) (up to 4CH)
MZ - Mini Zipcord (2x1.8) (6CH, 8CH, 12CH, 16CH)



ITECO LTD.

Rm. 603, Unit B, Pangyo Inno Valley Bldg.,
#621 Sampyong-Dong, Bundang-Gu, Seongnam-Si,
Kyunggi-Do, Korea

Tel.: +82-31-712-6981/6982
Fax: +82-31-712-6986

<http://www.iteco.co.kr>